



D8

The D8 range stands out through elegance and enhances the design of forklift trucks, construction machines and tractors. Outstanding optical features to guarantee a homogeneous illumination of the work area. Provided with standard bracket.



TECHNICAL DATA

- Housing Material:** Cast Aluminium
- Mounting Options:** Hanging
Standing
- Lens Material:** PC
- Temperature range:** -40 to +85 °C
- Connector:** Deutsch (DT04-2P)
built in.
Mating part: DT06-2S
- Weight:** 475 g / 1.05 lb
- Light Patterns:** Narrow Symmetric
Medium Symmetric
Wide Symmetric
Wide Vertical Symmetric

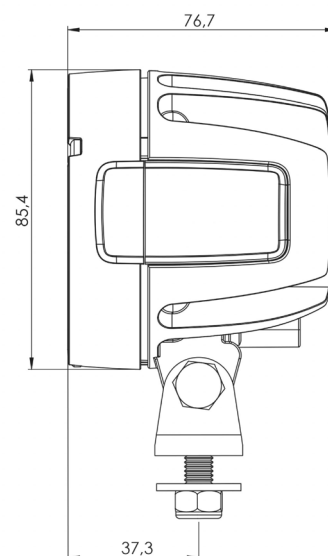
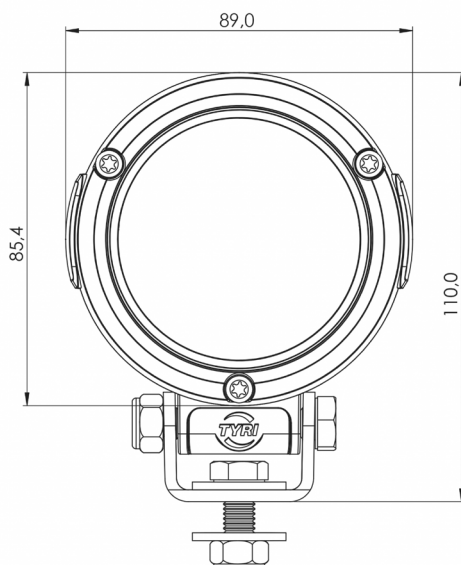
FEATURES

- Overheating Protection
- Over-voltage Protection
- Polarity Protection
- CE - marked

TEST STANDARDS

- Salt Spray ASTM B117 48 h
- Vibration 5-2000 Hz 3 Axis, 8 Grms
- Shock Tested 50 G 10 ms
- IP69K
- EN55025 / CISPR 25 Class 3 & 5
ISO7637-2, ISO10605, ISO16750-2, EN61000-4-2, EN61000-4-4, EN61000-6-3

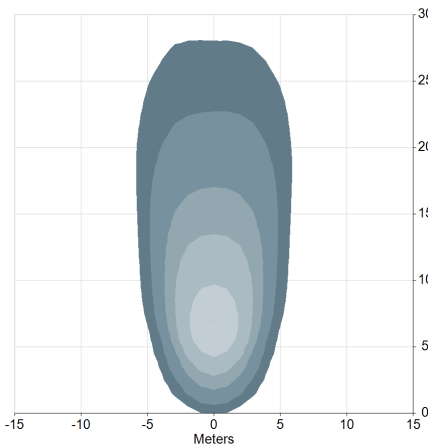
For further information visit www.tyrilights.com or contact your local sales team.



LIGHT OUTPUT	VOLTAGE		AMP DRAW		POWER	COLOUR TEMPERATURE	EMC	ECE
	Machine	Operating	12 V	24 V				
700 eLm	12 V	9-16 V	0.6 A	-	8 W	5.700 K	5	-
700 eLm	24 V	18-32 V	-	0.5 A	14 W	5.700 K	5	-
1,100 eLm	12 V	9-16 V	1.0 A	-	14 W	5.700 K	5	-
1,100 eLm	24 V	18-32 V	-	0.5 A	14 W	5.700 K	5	-
1,200 eLm	12-48 V	9-60 V	1.1 A	0.6 A	17 W	5.700 K	3	-
1,400 eLm	12 V	9-16 V	1.8 A	-	25 W	5.700 K	5	-
1,400 eLm	24 V	18-32 V	-	0.9 A	25 W	5.700 K	5	-
1,400 eLm	12-24 V	9-32 V	1.3 A	0.7 A	18 W	5.700 K	5	-
2,500 eLm	12 V	9-16 V	2.6 A	-	36 W	5.700 K	5	-
2,500 eLm	24 V	18-32 V	-	1.3 A	36 W	5.700 K	5	-

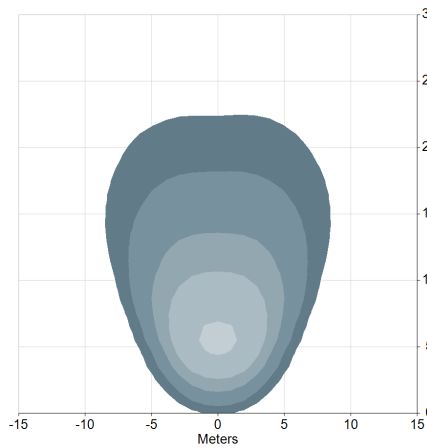
TYPICAL LIGHT PATTERNS

Example for D8 / 2,500 effective lumen



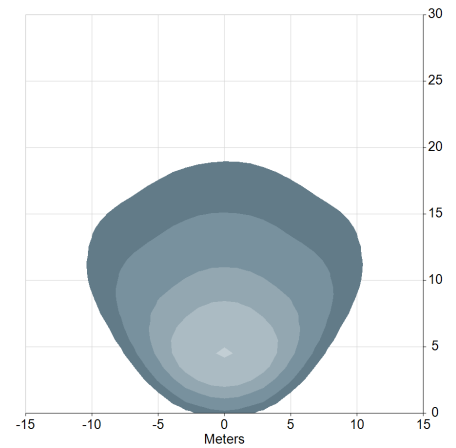
D8 / 2,500 eLm

Narrow, 0-30°
3.0 m / -15°
Symmetric



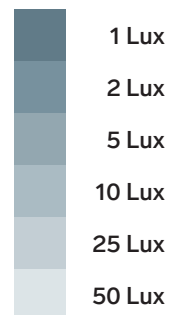
D8 / 2,500 eLm

Medium, 31 - 45°
3.0 m / -15°
Symmetric



D8 / 2,500 eLm

Wide, 45° +
3.0 m / -15°
Symmetric



LED work lights are exposed to dirt, fertilizers, road salt, acids and more. For best performance and long lifetime, the lens and the cooling fins must be cleaned on a regular basis.