



1010 TWIN

The TYRI 1010 Twin LED provides twice the light of the standard 1010. Its rectangular design is powered with two sets of 1010 series electronics generating an extremely high output. With its unique design, this work light is able to house two separate light patterns and color lenses, ensuring this light is both adaptable and multipurpose for a variety of applications. The TYRI 1010 Twin LED housing is mounted to a heavy duty four post dampened bracket configuration, making it tough and durable.



TECHNICAL DATA

- Housing Material:** Cast Aluminium
- Mounting Options:** Standing
- Lens Material:** Polycarbonate
- Temperature range:** -40 to +85 °C
- Connector:** Deutsch (DT04-2P) built in.
Mating part: DT06-2S
- Weight:** 1.7 kg / 3.75 lb
- Light Patterns:** Medium Symmetric
Wide Symmetric

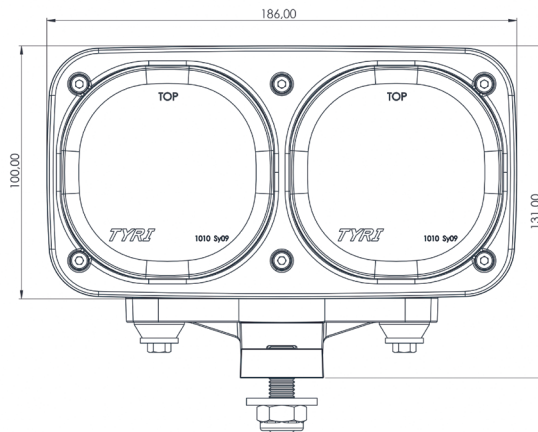
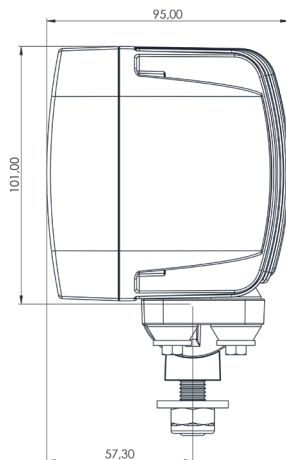
FEATURES

- Overheating Protection
- Over-voltage Protection
- Polarity Protection
- Dampened

TEST STANDARDS

- Salt Spray ASTM B117 500 h
- Vibration 5-2000 Hz 3 Axis, 8 Grms
- Shock Tested 50 G 11 ms
- IP69K
- EN55025 / CISPR 25 Class 5
ISO 11452-2 / ISO 11452-4
ISO 16750-2 / ISO 10605 / ISO 7637-2

For further information visit www.tyrilights.com or contact your local sales team.





1010 TWIN

LIGHT OUTPUT	VOLTAGE		AMP DRAW		POWER	COLOR TEMP	LENS PATTERN	PART NO.	EMC	ECE
	Machine	Operating	12 V	24 V	Watts	K			EN55025 / CISPR25	ECE Rating
2 100 eLm	12-48 V	9-60 V	5.6 A	2.6 A	60 W	5 700 K	Wide Symmetric	CLT-102-1	5	-
8 000 eLm	12-48 V	9-60 V	7.6 A	3.8 A	72 W	5 700 K	Medium Symmetric	CLT-103-1	5	-

LED work lights are exposed to dirt, fertilizers, road salt, acids and more. For best performance and long lifetime, the lens and the cooling fins must be cleaned on a regular basis.