



# D8 REDPOINT

D8 RedPoint increases safety and minimises the risk of accidents around machinery. It allows safety to be visual instead of relying solely on sirens and alarms. The D8 Redpoint projects a light beam as a concentrated, visible square on the floor in front or behind the machine. This warning light is also available as a standard work light, allowing you to match your machine lighting for a unified design.



Note: the lens of the RedPoint is clear, the red light is emitted from LEDs

## TECHNICAL DATA

- Housing Material:** Cast Aluminium
- Mounting Options:** Hanging  
Standing
- Lens Material:** Polycarbonate
- Temperature range:** -40 to +85 °C
- Connector:** Deutsch (DT04-2P)  
built in.  
Mating part: DT06-2S
- Weight:** 525 kg / 1.16 lb
- Light Patterns:** Spot

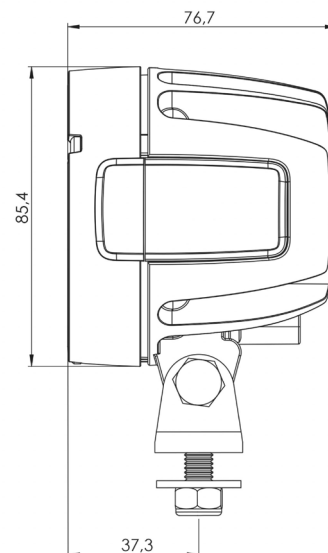
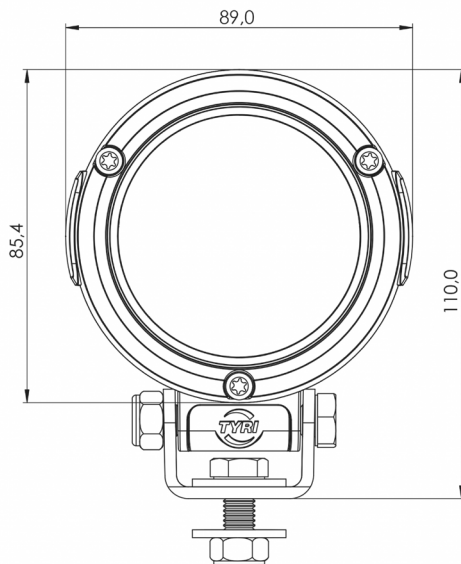
## FEATURES

- Overheating Protection
- Over-voltage Protection
- Polarity Protection
- CE - marked

## TEST STANDARDS

- Salt Spray ASTM B117 48 h
- Vibration 12-200 Hz 3 Axis, 8 grms
- Shock Tested 50 G 10 ms
- IP69K
- EN55025 / CISPR 25 Class 3,  
ISO 7637-2, ISO 16750-2, ISO 10605,  
EN610000-4-2, EN610000-4-3,  
EN610000-4-4, EN610000-6-3

For further information visit [www.tyrilights.com](http://www.tyrilights.com) or contact your local sales team.





# D8 REDPOINT

LIGHT OUTPUT	VOLTAGE		AMP DRAW		POWER	DOMINANT WAVELENGTH	EMC	ECE
Candela	Machine	Operating	12 V	24 V	Watts	nm	EN55025 / CISPR25	ECE Rating
25 000 cd	12-48 V	9-60 V	0.9 A	0.5 A	15 W	630 nm	3	-

LED work lights are exposed to dirt, fertilizers, road salt, acids and more. For best performance and long lifetime, the lens and the cooling fins must be cleaned on a regular basis.