



D18

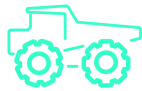
The D18 is an extremely powerful round LED work light in a heavy duty housing and used in the off road sector with additional vibration and shock dampers for uneven ground conditions as standard. This work light boasts a large heat sink for effective thermal management and is available with a 5700 K color temperature. Available with matching light cover for use when vehicle is travelling on road.

SUGGESTED APPLICATIONS

The D18 is highly adaptable and can be used across numerous applications worldwide, including:



OFF-ROAD



MINING



CRANES



TECHNICAL DATA

- Housing Material:** Cast Aluminium
- Mounting Options:** Hanging
Standing
- Lens Material:** Polycarbonate
- Temperature range:** -40 to +85 °C
- Connector:** Deutsch (DT04-2P) built in
- Weight:** 3.1 kg / 6.83 lb
- Light Patterns:** Narrow Symmetric



Dampened



Overheating Protection



Over-voltage Protection



Polarity Protection

TEST STANDARDS



Salt Spray ASTM B 117 96 h



Vibration 5-2000 Hz 3 Axis, 5 Grms



Shock Tested 50 G 11 ms



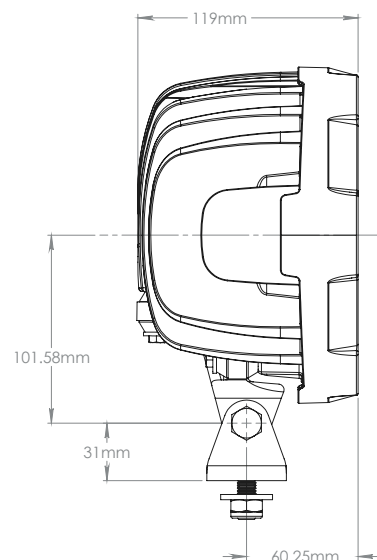
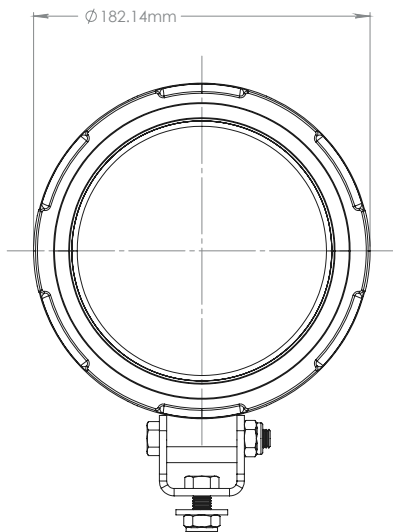
IP69K



EN55025 / CISPR 25 Class 5
ISO 11452-2 / ISO 11452-4
ISO 16750-2 / ISO 10605 / ISO 7637-2

Consult website for additional lens & mounting options

TYRI's testing standards can be found at: www.tyrilights.com





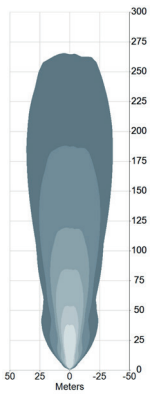
D18

LIGHT OUTPUT	VOLTAGE		AMP DRAW		POWER	COLOR TEMP	LENS PATTERN	PART NO.	EMC
	Effective Lumen	Machine	Op Range	12 V					
8000 lm	12-48 V	9-60 V	8.7 A	4.4 A	105 W	5700	Narrow Symmetric	KLD-107-1	5

⁽¹⁾ Product may not be available in all territories. Please check with your local TYRI office

TYPICAL LIGHT PATTERNS

Example for D18 / 8000 effective lumen | For further light patterns visit www.tyrilights.com



D18 / 8000 lm

Narrow 0-31°
3.0 m / -15°
Symmetric

