



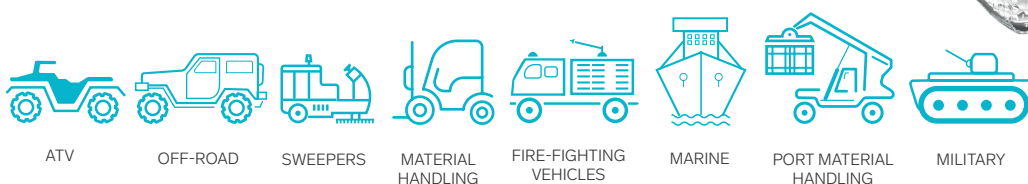
VL4

The VL4 with its stylish streamline design and small dimensions is used on Forklift trucks, floor scrubbers, ambulances, ATV's, UTV and also as entrance light on construction machines. Available with thru bolt or bracket mount. The 825 effective lumen model is specially designed to be isolated, meaning the input wires do not have any electrical connection to the housing of the light, ideal for forklift use.



SUGGESTED APPLICATIONS

The VL4 is highly adaptable and can be used across numerous applications worldwide, including:



TECHNICAL DATA

- Housing Material:** Cast Aluminium
- Mounting Options:** Thru Bolt, Bracket, Pedestal, Easy Mount
- Lens Material:** Polycarbonate
- Connector:** Deutsch (DT04-2P) built in
- Weight:** Thru Bolt 336 g / 0.74 lb, Bracket 358 g / 0.79 lb
- Light Patterns:** Symmetric, Asymmetric, Narrow Symmetric

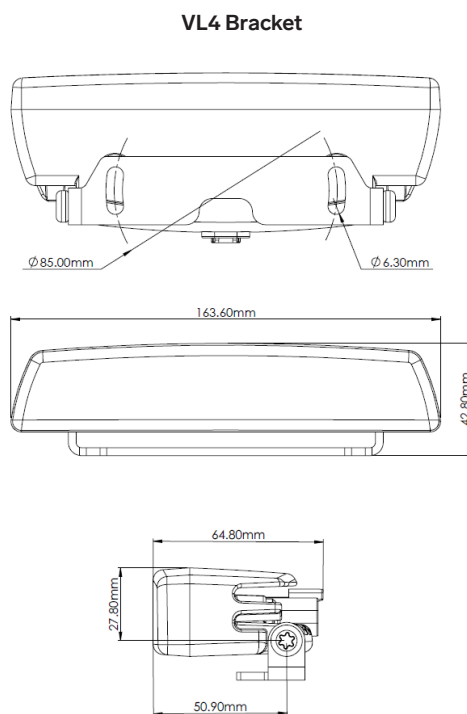
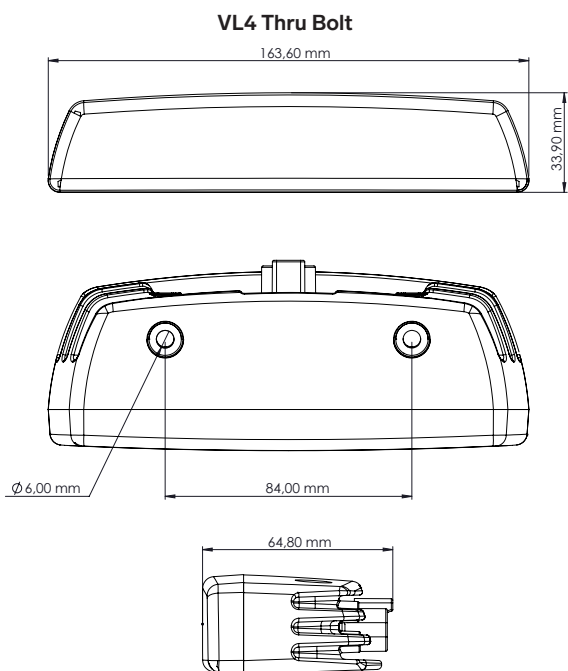
- Overheating Protection
- Over-voltage Protection
- Polarity Protection

TEST STANDARDS

- Salt Spray ASTM B117 500 h
- Vibration 5-2000 Hz 3 Axis, 10 Grms
- Shock Tested 50 G 11 ms
- IP69K
- EN55025 / CISPR 25, ISO 11452-2 / ISO 11452-4, ISO 16750-2 / ISO 10605 / ISO 7637-2
- UL Rated Optional

Consult website for additional lens & mounting options

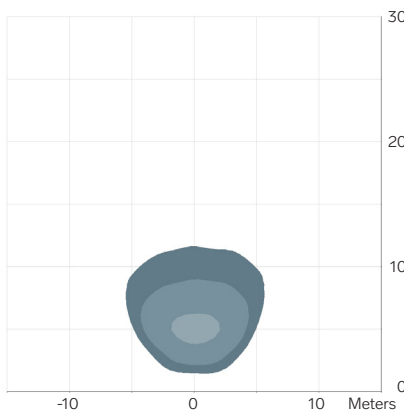
TYRI's testing standards can be found at: www.tyrilights.com



LIGHT OUTPUT	OPERATING TEMPERATURE	VOLTAGE		AMP DRAW		POWER	COLOUR TEMPERATURE	EMC	ECE
		Machine	Operating Range	12 V	24 V				
Effective Lumen	°C							EN55025 / CISPR25	ECE Rating
1000 lm	-40 to +75 °C	9-16 V	12 V	1.5 A	-	18 W	5000	5	
1400 lm	-40 to +75 °C	12-48 V	9-60 V	1.3 A	0.65 A	15 W	5700	3	
600 lm	-40 to +75 °C	12-48 V	9-60 V	1.2 A	0.6 A	15 W	5700	3	R10
1100 lm	-40 to +75 °C	12-48 V	9-60 V	1.1 A	0.55 A	13 W	5700	3	
RED	-40 to +75 °C	12-48 V	9-60 V	1.2 A	0.6 A	15 W	Dominant Wavelength Typical 630 nm	4	
GREEN	-40 to +75 °C	12-48 V	9-60 V	1.2 A	0.6 A	15 W	Dominant Wavelength Typical 530 nm	4	

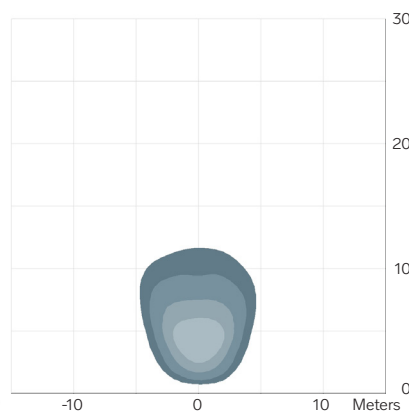
TYPICAL LIGHT PATTERNS

Example for VL4 / 600 effective lumen | For further light patterns visit www.tyrilights.com



VL4 / 600 lm

Wide 45°+
3.0 m / -15°
Symmetric



VL4 / 600 lm

Wide 45°+
3.0 m / -15°
Asymmetric

