



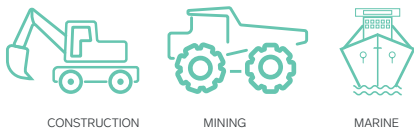
# 1323 AC

This is the AC version of the 1323 delivering a massive 13500 effective lumen output. The curved design and mounting options of 60° trunnion mount ensure this work light is suitable for multiple applications and installation choices. This light is available with a twin bracket for dual mounting, doubling the light output in any working area and a colour temperature of 4000 K.



## SUGGESTED APPLICATIONS

The 1323 AC is highly adaptable and can be used across numerous applications worldwide, including:



## TECHNICAL DATA

- Housing Material:** Cast Aluminium
- Mounting Options:** Hanging, Standing
- Lens Material:** Grilamid / Glass
- Temperature range:** -40 to +60 °C
- Connector:** Flying Leads
- Weight:** 7.2 kg / 15.9 lbs
- Light Patterns:** Wide Symmetric, Medium Symmetric

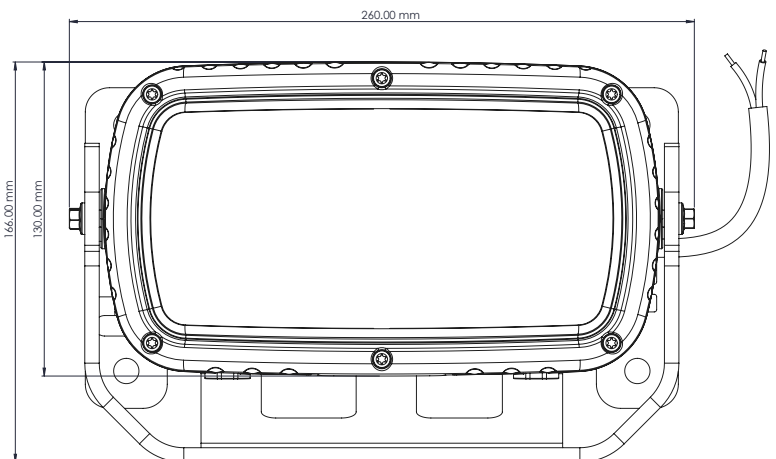
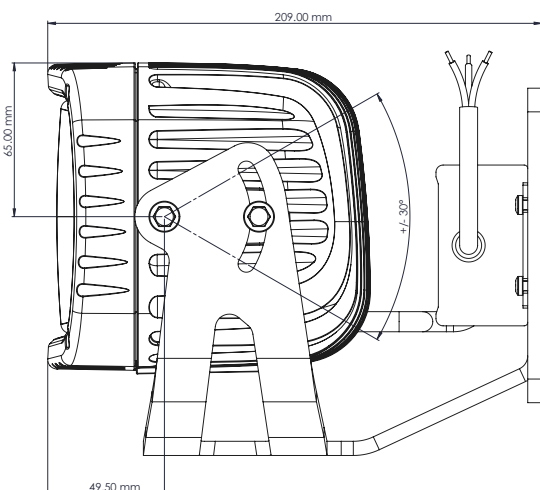
- Dampened - 60° Trunnion
- Overheating Protection
- Over-voltage Protection
- Polarity Protection

## TEST STANDARDS

- Salt Spray ASTM B117 500 h
- Vibration 5-2000 Hz 3 Axis, 10 Grms
- Shock Tested 50 G 11 ms
- IP69K
- EN 61000-6-2, EN 61000-6-3, EN 55015

Consult website for additional lens & mounting options

TYRI's testing standards can be found at: [www.tyrilights.com](http://www.tyrilights.com)



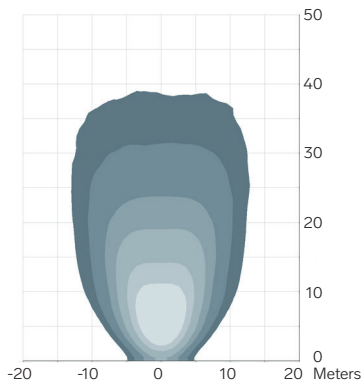


# 1323 AC

LIGHT OUTPUT	VOLTAGE	POWER	COLOR TEMP	LENS PATTERN	PART NO.	EMC
Effective Lumen	Operating Range	Watts	K			EN55025 / CISPR25
13,500 lm	100-277 Nominal / 47-63 Hz	170 W @ 230 V	4000	Medium Symmetric	JLU-002-1	EN 61000-6-2 EN 61000-6-3 EN 55015

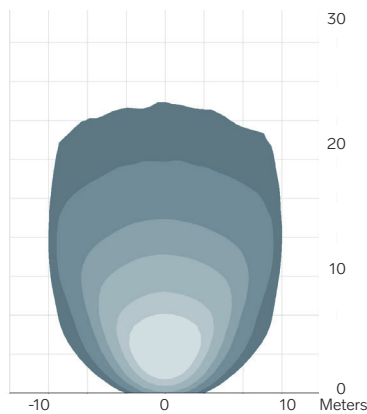
## TYPICAL LIGHT PATTERNS

Example for 1323 / 13,500 effective lumen | For further light patterns visit [www.tyrilights.com](http://www.tyrilights.com)



**1323 AC / 13,500 lm**

Medium 31-45°  
3.0 m / -15°  
Symmetric



**1323 AC / 13,500 lm**

Wide 45°+  
3.0 m / -15°  
Symmetric

