



D8 SWIVEL BLUEPOINT

D8 Swivel BluePoint increases safety and minimises the risk of accidents around machinery. It allows safety to be visual instead of relying solely on sirens and alarms. The D8 Swivel Bluepoint projects a light beam as a concentrated, visible square on the floor in front or behind the machine. This warning light is also available as a standard work light, allowing you to match your machine lighting for a unified design.



Note: the lens of the BluePoint is clear, the blue light is emitted from LEDs

SUGGESTED APPLICATIONS

The D8 Swivel BluePoint is mainly used for material handling. However, it can be used across numerous other applications worldwide.



MATERIAL HANDLING

TECHNICAL DATA

- Housing Material:** Cast Aluminium
- Mounting Options:** Hanging
Standing
- Lens Material:** Polycarbonate
- Temperature range:** -40 to +75 °C
- Connector:** Deutsch (DT04-2P) built in
- Weight:** 475 g / 1.05 lbs
- Light Patterns:** Spot

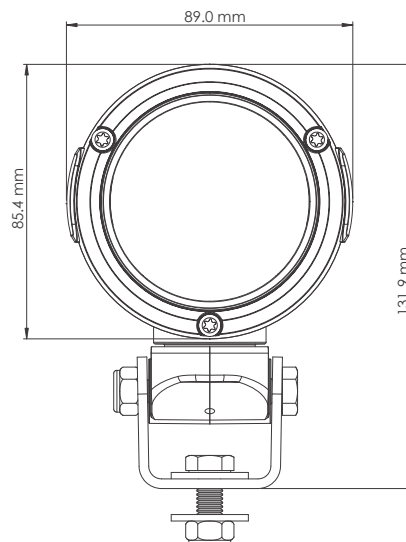
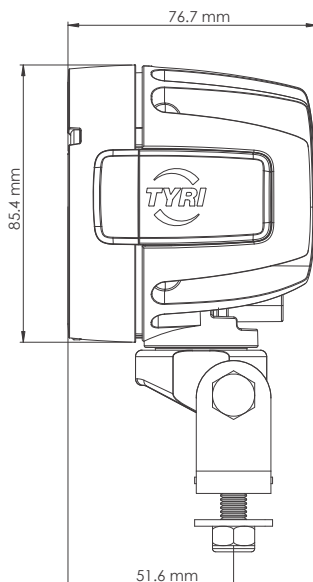
- Overheating Protection
- Over-voltage Protection
- Polarity Protection

TEST STANDARDS

- Salt Spray ASTM B117 500 h
- Vibration 5-2000 Hz 3 Axis, 10 Grms
- Shock Tested 50 G 11 ms
- IP69K
- EN55025 / CISPR 25 Class 3
ISO 11452-2 / ISO 11452-4
ISO 16750-2 / ISO 10605
ISO 7637-2
- UL Rated Optional

Consult website for additional lens & mounting options

TYRI's testing standards can be found at: www.tyriLights.com





D8 SWIVEL BLUEPOINT

| LIGHT INTENSITY | VOLTAGE | | AMP DRAW | | POWER | DOMINANT WAVELENGTH TYPICAL | EMC |
|-----------------|---------|-----------------|----------|--------|-------|-----------------------------|-------------------|
| | Machine | Operating Range | 12 V | 24 V | | | |
| Candela | Machine | Operating Range | 12 V | 24 V | Watts | nm | EN55025 / CISPR25 |
| 20,000 cd | 12-48 V | 9-60 V | 1.1 A | 0.55 A | 13 W | 475 nm | 3 |

IEC/SS-EN 62471 | RISK GROUP 2

CAUTION: Possibly hazardous optical radiation emitted from this product.
Do not stare at operating lamp. May be harmful to the eye.

It is important to remember, LED work lights are no more hazardous than other lighting technologies with the same correlated colour temperature (CCT).

TYRI complies with the IEC/SS-EN 62471 standard with the addition of the warning label on the product.