



D8 SWIVEL

The D8 Swivel is a product family consisting of LED work lights and LED BluePoint and RedPoint warning lights. The D8 Swivel work light can be tilted back and forth, and also be turned sideways thanks to the clever swivel bracket.

SUGGESTED APPLICATIONS

The D8 Swivel is highly adaptable and can be used across numerous applications worldwide, including:



CONSTRUCTION



MATERIAL HANDLING



PORT MATERIAL HANDLING



TECHNICAL DATA

- Housing Material:** Cast Aluminium
- Mounting Options:** Hanging, Standing, Swivel
- Lens Material:** Polycarbonate
- Temperature range:** -40 to +85 °C
- Connector:** Deutsch (DT04-2P) built in
- Weight:** 525 g / 1.15 lb
- Light Patterns:** Symmetric, Narrow Symmetric, Wide Symmetric



Overheating Protection



Over-voltage Protection



Polarity Protection

TEST STANDARDS



Salt Spray ASTM B117 500 h



Vibration 5-2000 Hz 3 Axis, 8 Grms



Shock Tested 50 G 11 ms



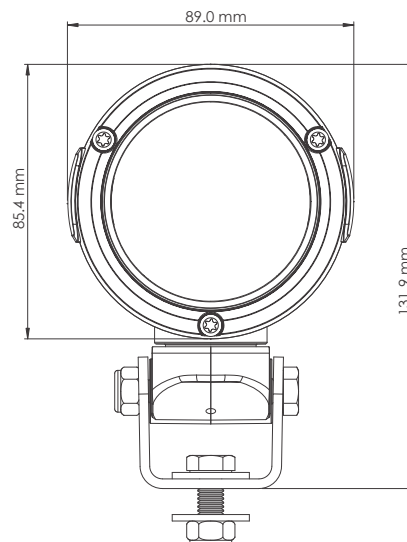
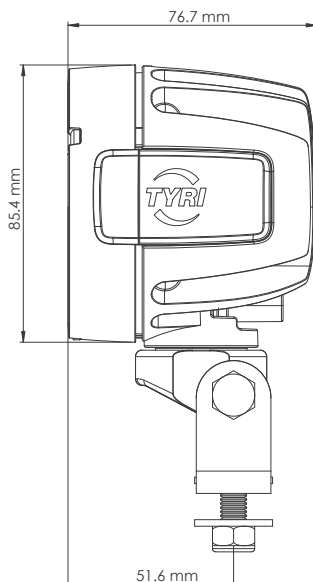
IP69K



EN55025 / CISPR 25
ISO 11452-2 / ISO 11452-4
ISO 16750-2 / ISO 10605
ISO 7637-2

Consult website for additional lens & mounting options

TYRI's testing standards can be found at: www.tyrilights.com



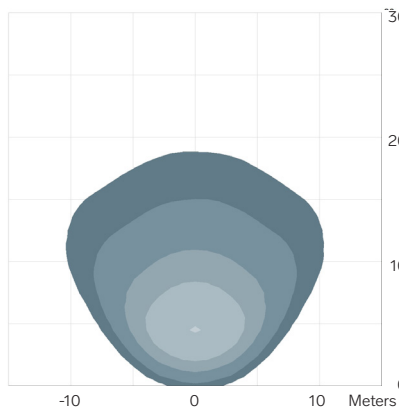


D8 SWIVEL

LIGHT OUTPUT	VOLTAGE		AMP DRAW		POWER	COLOUR TEMPERATURE	EMC	ECE
	Machine	Operating Range	12 V	24 V				
750 lm	12-80 V	9-108 V	1.2 A	0.6 A	14 W	5700	3	
1200 lm	12-48 V	9-60 V	1.1 A	0.55 A	13 W	5700	3	
1400 lm	12 V	9-16 V	1.8 A		22 W	5700	5	R10
1400 lm	24 V	18-32 V		0.9 A	22 W	5700	5	R10
2500 lm	12 V	9-16 V	2.4 A		29 W	5700	5	
2500 lm	24 V	18-32 V		1.4 A	33 W	5000	5	

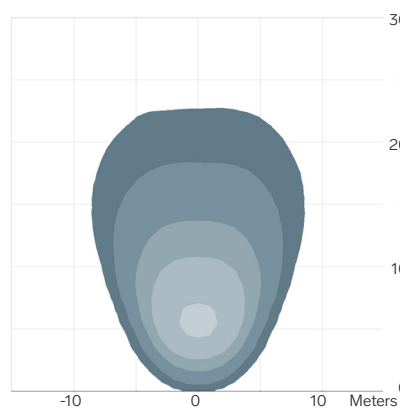
TYPICAL LIGHT PATTERNS

Example for D8 Swivel / 2500 effective lumen | For further light patterns visit www.tyriLights.com



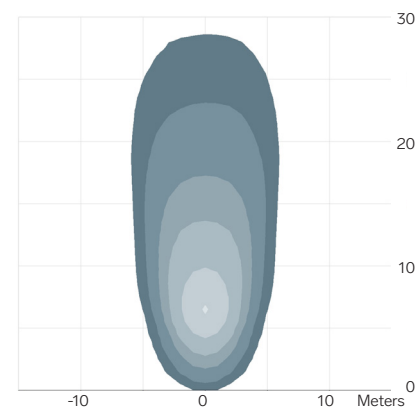
D8 Swivel / 2500 lm

Wide 45°
3.0 m / -15°
Symmetric



D8 Swivel / 2500 lm

Medium 31-45°
3.0 m / -15°
Symmetric



D8 Swivel / 2500 lm

Narrow 0-30°
3.0 m / -15°
Symmetric

