



D10 SWIVEL

The D10 Swivel has a streamlined shape and a swivel side mounting bracket. This bracket enables the D10 Swivel to be easily adjusted into various positions for individual illumination of the work area. Due to its high lumen output, it is used for larger machines and tractors. Highest EMC class rating has been awarded to avoid radio interference.

SUGGESTED APPLICATIONS

The D10 Swivel is highly adaptable and can be used across numerous applications worldwide, including:



CONSTRUCTION



PORT MATERIAL HANDLING



AGRICULTURE



TECHNICAL DATA

- Housing Material:** Cast Aluminium
- Mounting Options:** Side
- Lens Material:** Polycarbonate
- Temperature range:** -40 to +85 °C
- Connector:** Deutsch (DT04-2P) built in
- Weight:** 930 g / 2.05 lbs
- Light Patterns:** Symmetric
Narrow Symmetric
Asymmetric



Overheating Protection



Over-voltage Protection



Polarity Protection

TEST STANDARDS



Salt Spray ASTM B117 500 h



Vibration 5-2000 Hz 3 Axis, 10 Grms



Shock Tested 50 G 11 ms



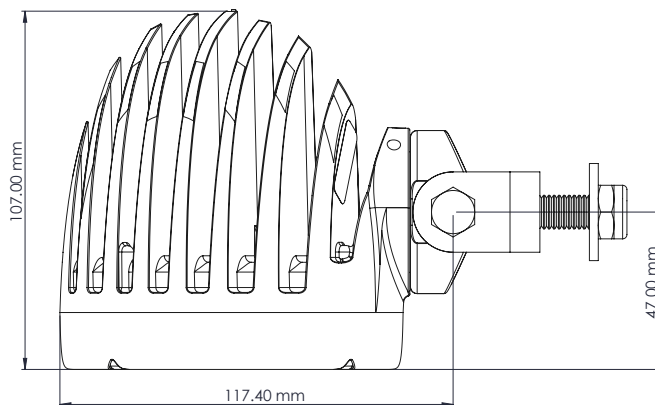
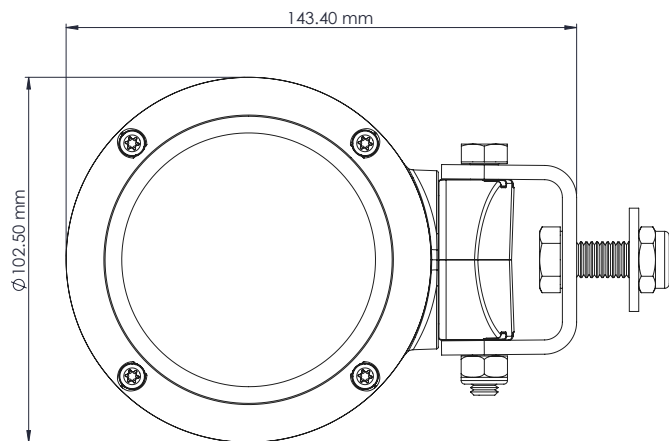
IP69K



EN55025 / CISPR 25 Class 5
ISO 11452-2 / ISO 11452-4
ISO 16750-2 / ISO 10605
ISO 7637-2

Consult website for additional lens & mounting options

TYRI's testing standards can be found at: www.tyrilights.com



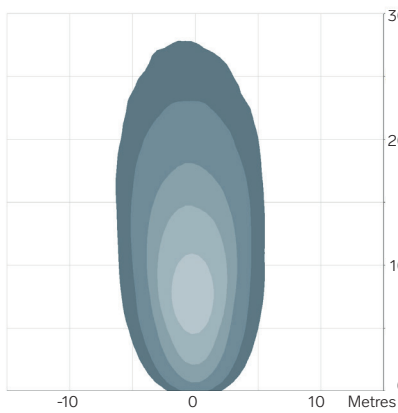


D10 SWIVEL

LIGHT OUTPUT	VOLTAGE		AMP DRAW		POWER	COLOUR TEMPERATURE	EMC
	Machine	Operating Range	12 V	24 V			
Effective Lumen	Machine	Operating Range	12 V	24 V	Watts	K	EN55025 / CISPR25
2500 lm	12-48 V	9-60 V	3.2 A	1.6 A	38 W	5000	5

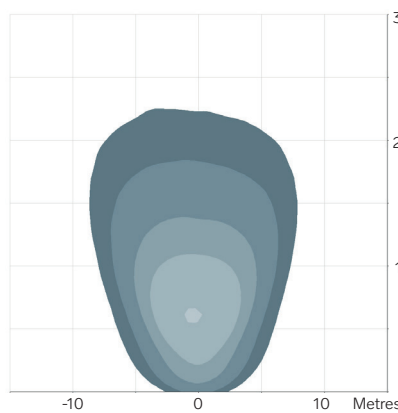
TYPICAL LIGHT PATTERNS

Example for D10 Swivel / 2500 effective lumen | For further light patterns visit www.tyrilights.com



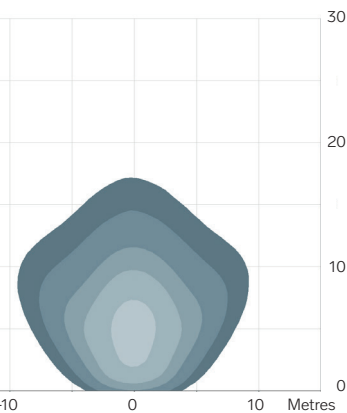
D10 Swivel / 2500 lm

Narrow 0-30°
3.0 m / -15°
Symmetric



D10 Swivel / 2500 lm

Medium 31-45°
3.0 m / -15°
Symmetric



D10 Swivel / 2500 lm

Wide 45°+
3.0 m / -15°
Symmetric

