

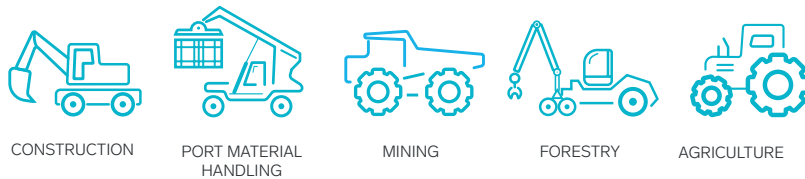


D10

The D10 LED work light has a unique dome shape which makes this product a genuine eye-catcher. With 2500 effective lumen and outstanding optical features, it guarantees uniform illumination of the work area for tractors and large machines. Standard bracket mounting, the highest vibration test in the industry and EMC class rating to avoid radio interference, ensures performance.

SUGGESTED APPLICATIONS

The D10 is highly adaptable and can be used across numerous applications worldwide, including:



TECHNICAL DATA

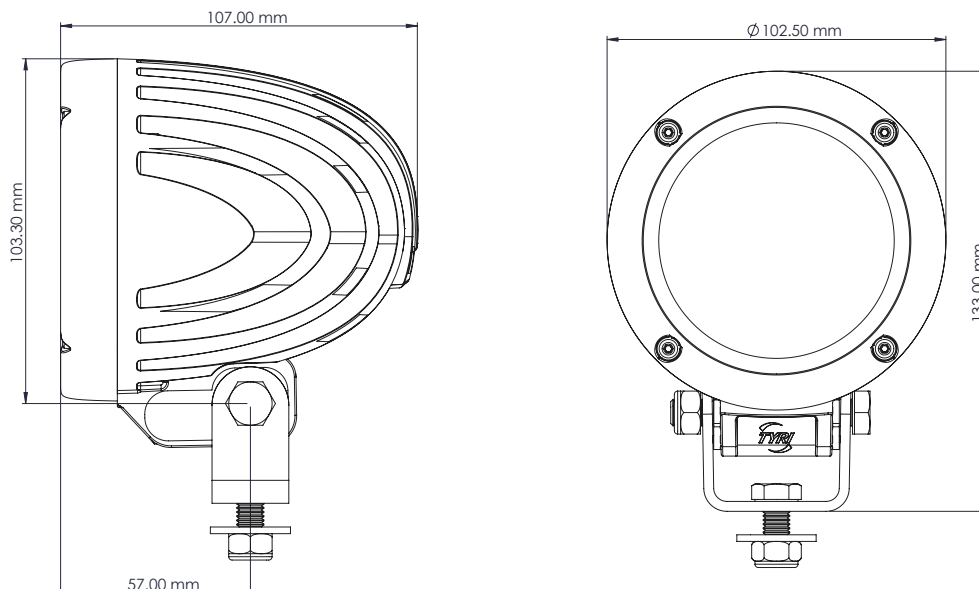
Housing Material:	Cast Aluminium	Dampened
Mounting Options:	Hanging Standing	Overheating Protection
Lens Material:	Polycarbonate	Over-voltage Protection
Temperature range:	-40 to +85 °C	Polarity Protection
Connector:	Deutsch (DT04-2P) built in	
Weight:	900 g / 1.99 lbs	
Light Patterns:	Symmetric Asymmetric	

TEST STANDARDS

	Salt Spray ASTM B117 500 h
	Vibration 5-2000 Hz 3 Axis, 10 Grms
	Shock Tested 50 G 11 ms
	IP69K
	EN55025 / CISPR 25 Class 5 ISO 11452-2 / ISO 11452-4 ISO 16750-2 / ISO 10605 ISO 7637-2

Consult website for additional lens & mounting options

TYRI's testing standards can be found at: www.tyrilights.com



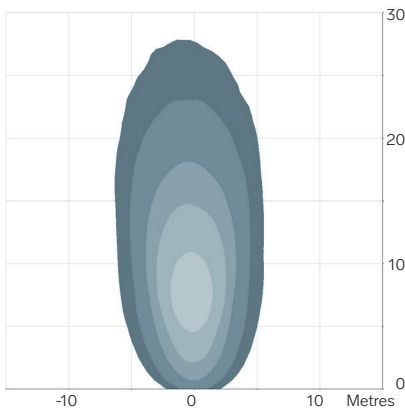


D10

LIGHT OUTPUT	VOLTAGE		AMP DRAW		POWER	COLOUR TEMPERATURE	EMC
	Machine	Operating Range	12 V	24 V			
Effective Lumen	Machine	Operating Range	12 V	24 V	Watts	K	EN55025 / CISPR25
2500 lm	12-48 V	9-60 V	3.2 A	1.6 A	38 W	5000	5

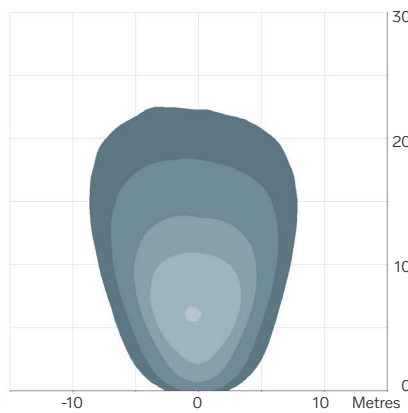
TYPICAL LIGHT PATTERNS

Example for D10 / 2500 effective lumen | For further light patterns visit www.tyrilights.com



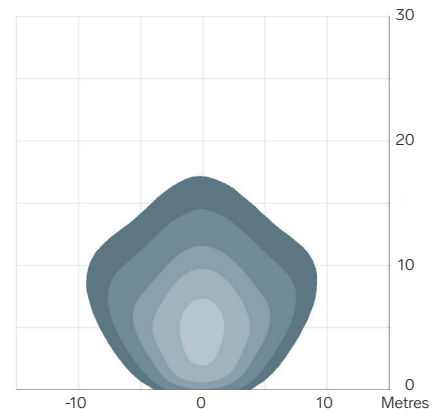
D10 / 2500 lm

Narrow 0-30°
3.0 m / -15°
Symmetric



D10 / 2500 lm

Medium 31-45°
3.0 m / -15°
Symmetric



D10 / 2500 lm

Wide 45°+
3.0 m / -15°
Symmetric

