



# 1323

The 1323 LED is an extremely powerful LED work light delivering a massive 16500 effective lumen output. The curved design and mounting options of 60° trunnion mount ensure this work light is suitable for multiple applications and installation choices. Used on fire-fighting vehicles, boat cranes and other cranes, material handlers, light masts for generators, mining machines and more with a colour temperature 4000 K.



## SUGGESTED APPLICATIONS

The 1323 is highly adaptable and can be used across numerous applications worldwide, including:



## TECHNICAL DATA

- Housing Material:** Cast Aluminium
- Mounting Options:** Hanging, Standing
- Lens Material:** Grilamid
- Temperature range:** -40 to +85 °C
- Connector:** Deutsch (DT04-2P) built in
- Weight:** 4.7 kg / 10.4 lbs
- Light Patterns:** Wide Symmetric, Medium Symmetric

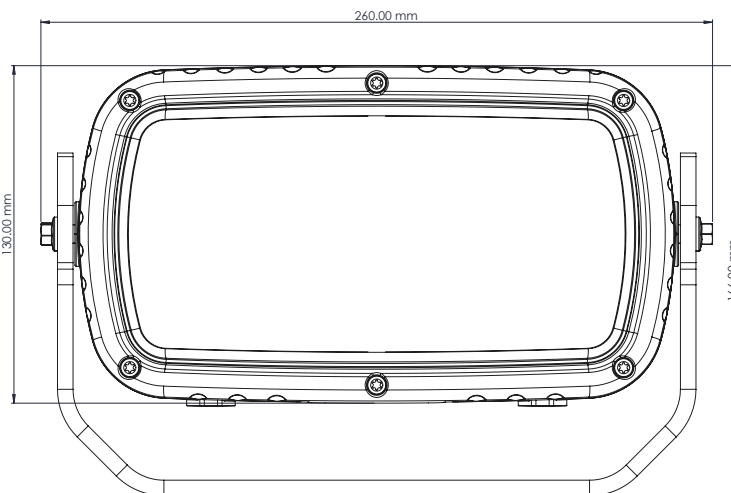
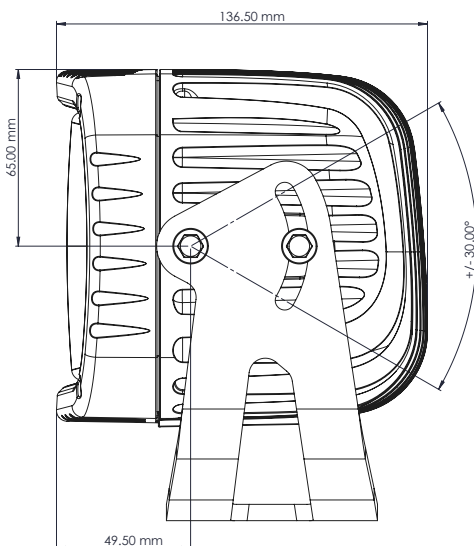
- Dampened - 60° Trunnion
- Overheating Protection
- Over-voltage Protection
- Polarity Protection

## TEST STANDARDS

- Salt Spray ASTM B117 500 h
- Vibration 5-2000 Hz 3 Axis, 10 Grms
- Shock Tested 50 G 11 ms
- IP69K
- EN55025 / CISPR 25 Class 4, ISO 11452-2 / ISO 11452-4, ISO 16750-2 / ISO 10605, ISO 7637-2

Consult website for additional lens & mounting options

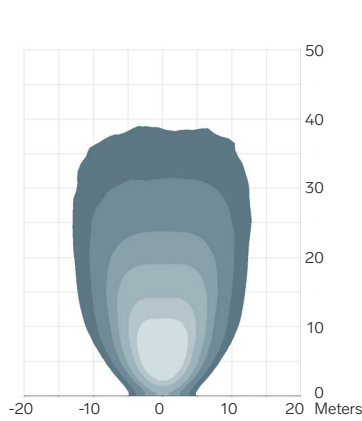
TYRI's testing standards can be found at: [www.tyrilights.com](http://www.tyrilights.com)



LIGHT OUTPUT	VOLTAGE		AMP DRAW	POWER	COLOUR TEMPERATURE	EMC	ECE
	Machine	Operating Range					
Effective Lumen	Machine	Operating Range	24 V	Watts	K	EN55025 / CISPR25	ECE Rating
13,500 lm	24 V	18-32 V	6.2 A	150 W	4000	4	
16,500 lm	24 V	18-32 V	6.2 A	150 W	4000	4	R10

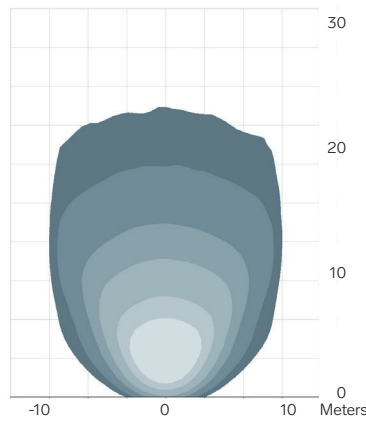
## TYPICAL LIGHT PATTERNS

Example for 1323 / 13500 effective lumen | For further light patterns visit [www.tyrlights.com](http://www.tyrlights.com)



### 1323 / 13,500 lm

Medium 31-45°  
3.0 m / -15°  
Symmetric



### 1323 / 13,500 lm

Wide 45°+  
3.0 m / -15°  
Symmetric

