



1313

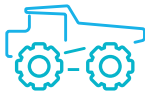
The 1313 is an extremely powerful LED work light in a heavy duty housing and used on large construction, recycling, fire-fighting and mining vehicles where a lot of light is required. Additional vibration dampers for uneven ground conditions are standard. This work light offers exceptional lumen to watt efficiency ratio and is available with 5700 K and 4000 K.

SUGGESTED APPLICATIONS

The 1313 is highly adaptable and can be used across numerous applications worldwide, including:



CONSTRUCTION



MINING



FIRE-FIGHTING VEHICLE



CRANES



MARINE



OFF-ROAD



TECHNICAL DATA

- Housing Material:** Cast Aluminium
- Mounting Options:** Hanging, Standing
- Lens Material:** Grilamid / Glass
- Temperature range:** -40 to +85 °C
- Connector:** Deutsch (DT04-2P) built in
- Weight:** 1.84 kg / 4.06 lb
- Light Patterns:** Symmetric, Narrow Symmetric, Wide Symmetric, Asymmetric, Wide Asymmetric



Dampened



Overheating Protection



Over-voltage Protection



Polarity Protection

TEST STANDARDS



Salt Spray ASTMB 117 500 h



Vibration 5-2000 Hz 3 Axis, 10 Grms



Shock Tested 50 G 11 ms



IP69K



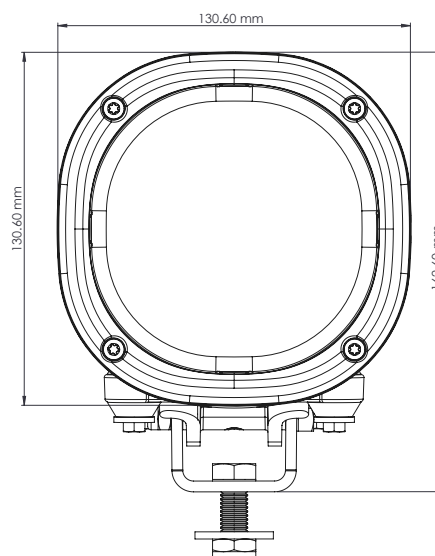
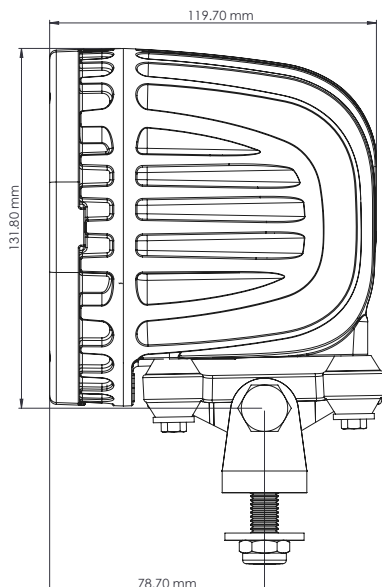
EN55025 / CISPR 25 Class 5 & 4
ISO 11452-2 / ISO 11452-4
ISO 16750-2 / ISO 10605 / ISO 7637-2



R10 Optional

Consult website for additional lens & mounting options

TYRI's testing standards can be found at: www.tyrilights.com





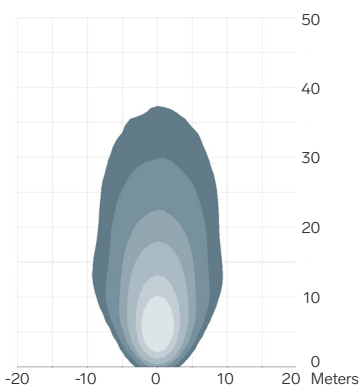
1313

LIGHT OUTPUT	VOLTAGE		AMP DRAW		POWER	COLOUR TEMPERATURE	EMC	ECE
	Machine	Operating Range	12 V	24 V				
3600 lm	12-48 V	9-60 V	4.0 A	2.0 A	48 W	5700	3	
5000 lm ⁽¹⁾	12-48 V	9-60 V	5.2 A	2.6 A	62 W	5700	4 (Reflector) / 5 (Reflector)	
6200 lm	12-48 V	9-60 V	5.2 A	2.6 A	62 W	5700	4 (Reflector) / 5 (Reflector)	
7000 lm ⁽¹⁾	12-48 V	9-60 V	6.8 A	3.4 A	82 W	5700	4 (Reflector) / 5 (Reflector)	R10
8000 lm	12-48 V	9-60 V	6.8 A	3.4 A	82 W	5700	4 (Reflector) / 5 (Reflector)	R10
8000 lm	12-48 V	9-60 V	6.8 A	3.4 A	82 W	4000	4 (Reflector) / 5 (Reflector)	R10

⁽¹⁾ Product may not be available in all territories. Please check with your local TYRI office.

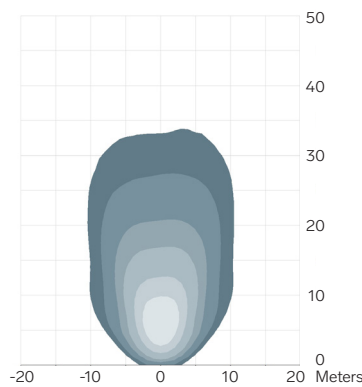
TYPICAL LIGHT PATTERNS

Example for 1313 / 8000 effective lumen | For further light patterns visit www.tyrilights.com



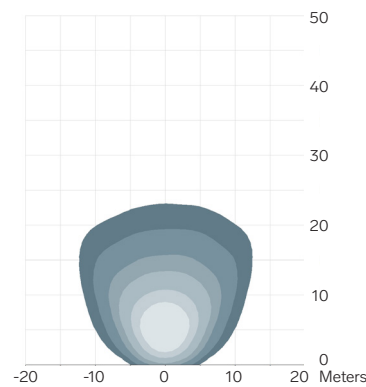
1313 / 8000 lm

Narrow 0-30°
3.0 m / -15°
Symmetric



1313 / 8000 lm

Wide 45°+
3.0 m / -15°
Symmetric



1313 / 8000 lm

Wide 45°+
3.0 m / -15°
Asymmetric

