



1313 AC

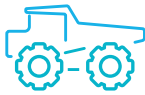
The 1313 AC is a low energy (60 W), durable work light. It is suitable for larger conveyors or AC powered machinery giving 3700 Lumen (effective lumen) output. The 1313 AC has undergone TYRI's stringent testing for IP69K, vibration, salt spray and EMC.

SUGGESTED APPLICATIONS

The 1313 AC is highly adaptable and can be used across numerous applications worldwide, including:



CONSTRUCTION



MINING



MARINE



TECHNICAL DATA

- Housing Material:** Cast Aluminium
- Mounting Options:** Hanging, Standing
- Lens Material:** Polycarbonate
- Temperature range:** -40 to +50 °C
- Connector:** Flying Leads
- Weight:** 2.1 kg / 4.6 lbs
- Light Patterns:** Symmetric, Asymmetric, Narrow Symmetric



Dampened



Overheating Protection



Over-voltage Protection



Polarity Protection

TEST STANDARDS



Salt Spray ASTM B117 500 h



Vibration 5-2000 Hz 3 Axis, 10 Grms



Shock Tested 50 G 11 ms



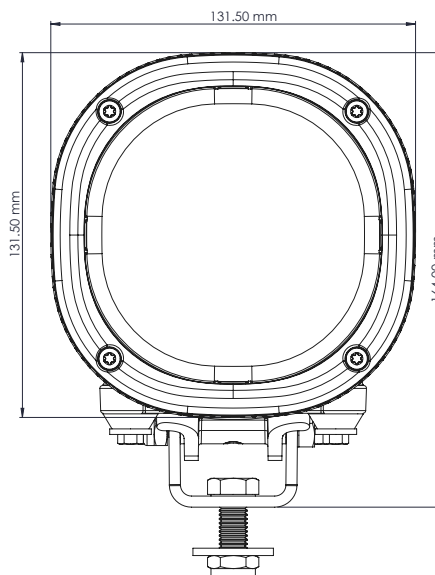
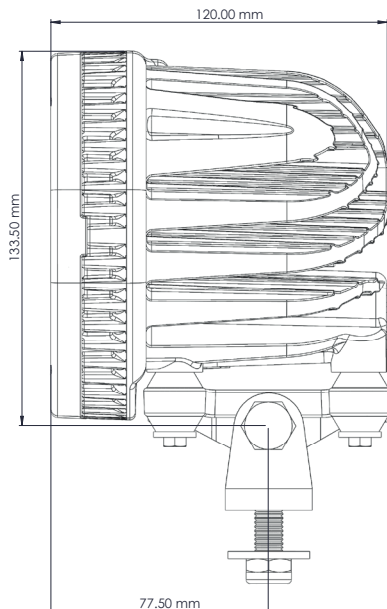
IP69K



AC/DC Converter:
 EN55015 Class B
 FCC 47CFR part 15 Class B
 Susceptibility:
 EN61000-4-2,-3,-4,-6,-6 & -11
 ANSI c62.41-1991 Category A1, 2.5kV
 Ringwave

Consult website for additional lens & mounting options

TYRI's testing standards can be found at: www.tyrilights.com





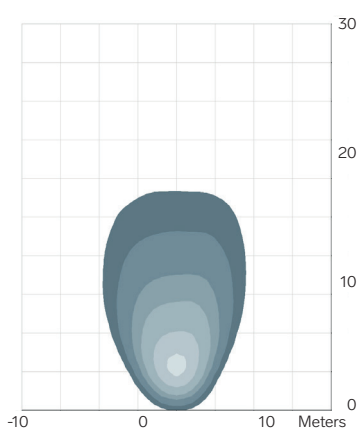
1313 AC

LIGHT OUTPUT	VOLTAGE	AMP DRAW		POWER	COLOUR TEMPERATURE
Effective Lumen	Machine	120 V/60 Hz	240 V / 60 Hz	Watts	K
3700 lm	100-277 Nominal / 47-63 Hz	0.5 A	0.35 A	60 W	5300-6000

Product may not be available in all territories. Please check with your local TYRI office

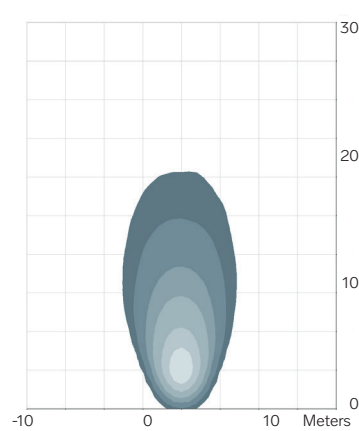
TYPICAL LIGHT PATTERNS

Example for 1313 AC / 3700 effective lumen | For further light patterns visit www.tyrilights.com



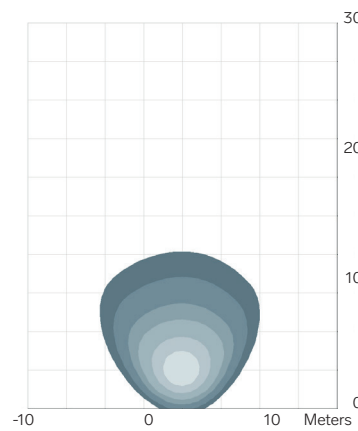
1313 AC / 3700 lm

Medium 31-45°
3.0 m / -15°
Symmetric



1313 AC / 3700 lm

Wide 45°+
3.0 m / -15°
Symmetric



1313 AC / 3700 lm

Wide 45°+
3.0 m / -15°
Asymmetric

