



1013

The 1013 LED work light with oval design is a cost-effective upgrade solution when looking to replace halogen lighting. It is used on forklift trucks or where you want an oval shape to make your vehicle stand out.

SUGGESTED APPLICATIONS

The 1013 is highly adaptable and can be used across numerous applications worldwide, including:



CONSTRUCTION



MATERIAL HANDLING



AGRICULTURE



TECHNICAL DATA

- Housing Material:** Cast Aluminium
- Mounting Options:** Hanging
Standing
- Lens Material:** Polycarbonate
- Temperature range:** -40 to +85 °C
- Connector:** Deutsch (DT04-2P) built in
- Weight:** 0.45 kg / 1 lb
- Light Patterns:** Symmetric
Asymmetric
Spot



Overheating Protection



Over-voltage Protection



Polarity Protection

TEST STANDARDS



Salt Spray ASTM B117



Vibration 5-2000 Hz 3 Axis, 10 Grms



Shock Tested 50 G 11 ms



IP69K



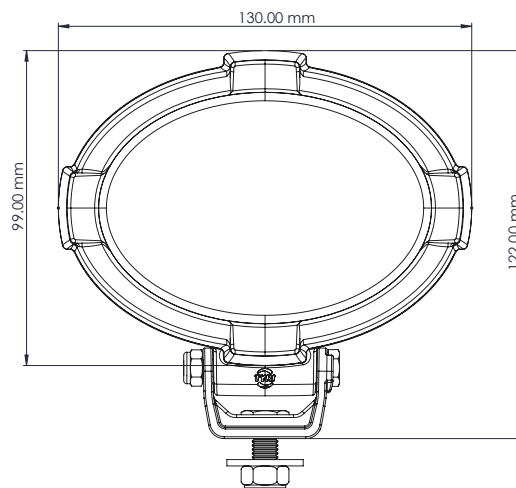
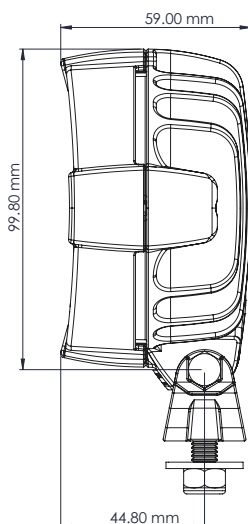
EN55025 / CISPR 25 Class 5
ISO 11452-2 / ISO 11452-4
ISO 16750-2 / ISO 10605
ISO 7637-2



UL Rated Optional


Consult website for additional lens & mounting options

TYRI's testing standards can be found at: www.tyrilights.com





1013

LIGHT OUTPUT	VOLTAGE		AMP DRAW		POWER	COLOUR TEMPERATURE	EMC
	Machine	Operating Range	12 V	24 V			
Effective Lumen			12 V	24 V	Watts	K	EN55025 / CISPR25
750 lm	12-48 V	9-60 V	1.2 A	0.6A	14 W	5000	5 
1400 lm	12-48 V	9-60 V	1.7 A	0.9 A	21 W	5000	5 