



# 1010 WHITEPOINT

The WhitePoint is a remarkable search light with a tighter spot than the WhiteBeam, and capable of projecting light over a long distance at a high Candela output. This work light is suitable for monitors to enhance task performance of fire fighters or as a searchlight.

## SUGGESTED APPLICATIONS

The 1010 WhitePoint is highly adaptable and can be used across numerous applications worldwide, including:



MARINE



POLICE



FIRE-FIGHTING  
VEHICLES



## TECHNICAL DATA

- Housing Material:** Cast Aluminium
- Mounting Options:** Hanging, Standing
- Lens Material:** Polycarbonate
- Temperature range:** -40 to +75 °C
- Connector:** Deutsch (DT04-2P) built in
- Weight:** 920 g / 2.03 lbs
- Light Patterns:** Spot



Dampened



Overheating Protection



Over-voltage Protection



Polarity Protection

## TEST STANDARDS



Salt Spray ASTM B117 500 h



Vibration 5-2000 Hz 3 Axis, 10 Grms



Shock Tested 50 G 11 ms



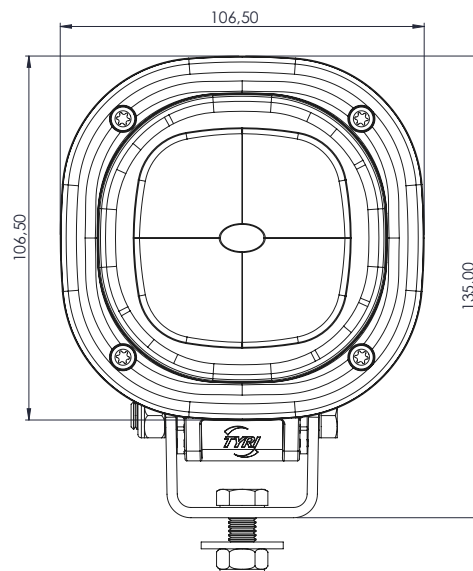
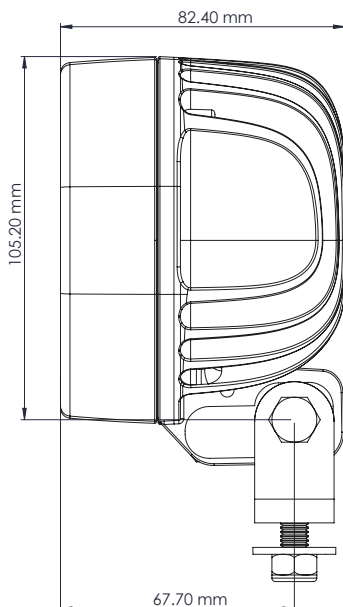
IP69K



EN55025 / CISPR 25 Class 5  
ISO 11452-2 / ISO 11452-4  
ISO 16750-2 / ISO 10605  
ISO 7637-2

Consult website for additional lens & mounting options

TYRI's testing standards can be found at: [www.tyrilights.com](http://www.tyrilights.com)



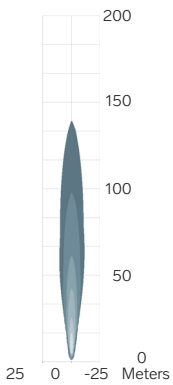


# 1010 WHITEPOINT

LIGHT OUTPUT		VOLTAGE		AMP DRAW		POWER	COLOUR TEMPERATURE	EMC	ECE
Effective Lumen	Machine	Operating Range	12 V	24 V	Watts	K	EN55025 / CISPR25	ECE Rating	
700 lm	12-48 V	9-60 V	1.4 A	0.6 A	17 W	5700	5	R10	

## TYPICAL LIGHT PATTERNS

Example for 1010 WhitePoint / 700 effective lumen | For further light patterns visit [www.tyrilights.com](http://www.tyrilights.com)



### 1010 WhitePoint / 700 lm

Spot  
1.0 m / 0°  
Symmetric

