

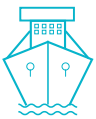


1010 WHITEBEAM

The 1010 WhiteBeam is a unique energy efficient spotlight capable of delivering a high candela output in a concentrated area. It is specifically designed to perform as a long-distance light with a very narrow concentrated pattern. Can be used as a search light.

SUGGESTED APPLICATIONS

The 1010 WhiteBeam is highly adaptable and can be used across numerous applications worldwide, including:



MARINE



POLICE



FIRE-FIGHTING
VEHICLES



TECHNICAL DATA

- Housing Material:** Cast Aluminium
- Mounting Options:** Hanging
Standing
- Lens Material:** Polycarbonate
- Temperature range:** -40 to +75 °C
- Connector:** Deutsch (DT04-2P) built in
- Weight:** 920 g / 2.03 lbs
- Light Patterns:** Spot

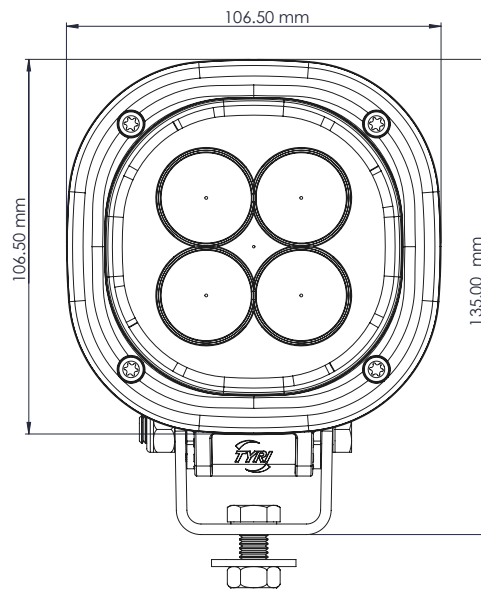
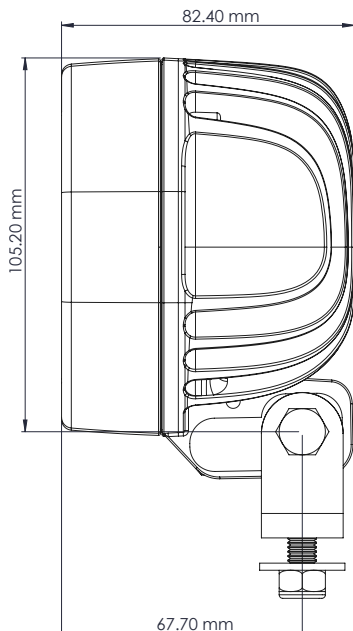
- Dampened
- Overheating Protection
- Over-voltage Protection
- Polarity Protection

TEST STANDARDS

- Salt Spray ASTM B117 500 h
- Vibration 5-2000 Hz 3 Axis, 10 Grms
- Shock Tested 50 G 11 ms
- IP69K
- EN55025 / CISPR 25 Class 5
ISO 11452-2 / ISO 11452-4
ISO 16750-2 / ISO 10605
ISO 7637-2

Consult website for additional lens & mounting options

TYRI's testing standards can be found at: www.tyrilights.com



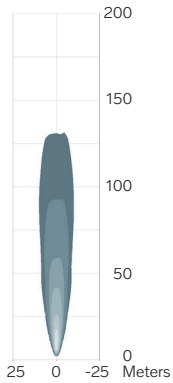


1010 WHITEBEAM

LIGHT OUTPUT		VOLTAGE		AMP DRAW		POWER	COLOUR TEMPERATURE	EMC	ECE
Effective Lumen	Machine	Operating Range	12 V	24 V	Watts	K	EN55025 / CISPR25	ECE Rating	
700 lm	12-48 V	9-60 V	1.4 A	0.6 A	17 W	5700	5	R10	

TYPICAL LIGHT PATTERNS

Example for 1010 WhiteBeam / 700 effective lumen | For further light patterns visit www.tyrilights.com



1010 WhiteBeam / 700 lm

Spot
1.0 m / 0°
Symmetric

