



1010 REDPOINT

1010 RedPoint increases safety and minimises the risk of accidents. Allowing safety to be visual instead of relying solely on sirens or alarms, especially in noisy environments. The 1010 RedPoint projects a concentrated light beam as a large, visible square on the floor in front or behind the machine. This warning light is available as a standard work light, allowing you to match your machine lighting for a unified design.

SUGGESTED APPLICATIONS

The 1010 RedPoint is used mainly in material handling. However, it can be used across numerous other applications worldwide.



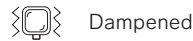
MATERIAL HANDLING



Note: the lens of the RedPoint is clear, the red light is emitted from LEDs

TECHNICAL DATA

- Housing Material:** Cast Aluminium
- Mounting Options:** Hanging
Standing
- Lens Material:** Polycarbonate
- Temperature range:** -40 to +75 °C
- Connector:** Deutsch (DT04-2P) built in
- Weight:** 920 g
- Light Patterns:** Spot



Dampened



Overheating Protection



Over-voltage Protection



Polarity Protection

TEST STANDARDS



Salt Spray ASTM B117 500 h



Vibration 5-2000 Hz 3 Axis, 10 Grms



Shock Tested 50 G 11 ms



IP69K



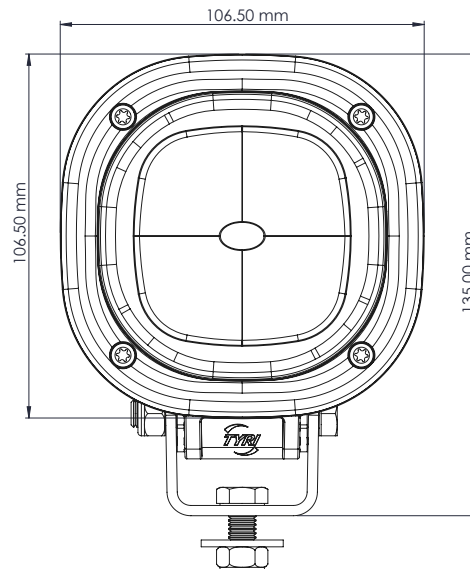
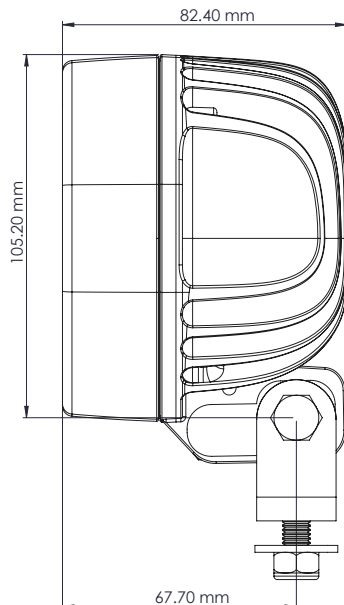
EN55025 / CISPR 25 Class 4
ISO 11452-2 / ISO 11452-4
ISO 16750-2 / ISO 10605
ISO 7637-2



UL Rated Optional

Consult www.tyrilights.com for additional lens & mounting options

TYRI's testing standards can be found at: www.tyrilights.com





1010 REDPOINT

LIGHT INTENSITY	VOLTAGE		AMP DRAW		POWER	DOMINANT WAVELENGTH TYPICAL	EMC
Candela	Machine	Operating Range	12 V	24 V	Watts	nm	EN55025 / CISPR25
20,000 cd	12-48 V	9-60 V	1.4 A	0.7 A	15 W	630 nm	4