



1010 REDBEAM

The BlueBeam and RedBeam LED are powerful spot lights, with a wider beam pattern than the BluePoint and RedPoint. Along with the bright red colour, the RedBeam serves a practical purpose, ensuring operators of crop sprayers have full visibility of the nozzle spray being spread across the fields with its powerful illumination.



Note: the lens of the RedBeam is clear, the red light is emitted from LEDs

SUGGESTED APPLICATIONS

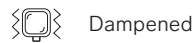
The 1010 RedBeam is mainly used on agricultural sprayers. However, it can be used across numerous other applications worldwide.



AGRICULTURE

TECHNICAL DATA

- Housing Material:** Cast Aluminium
- Mounting Options:** Hanging
Standing
- Lens Material:** Polycarbonate
- Temperature range:** -40 to +75 °C
- Connector:** Deutsch (DT04-2P) built in
- Weight:** 920 g / 2.03 lbs
- Light Patterns:** Spot



Dampened



Overheating Protection



Over-voltage Protection



Polarity Protection

TEST STANDARDS



Salt Spray ASTM B117 500 h



Vibration 5-2000 Hz 3 Axis, 10 Grms



Shock Tested 50 G 11 ms



IP69K



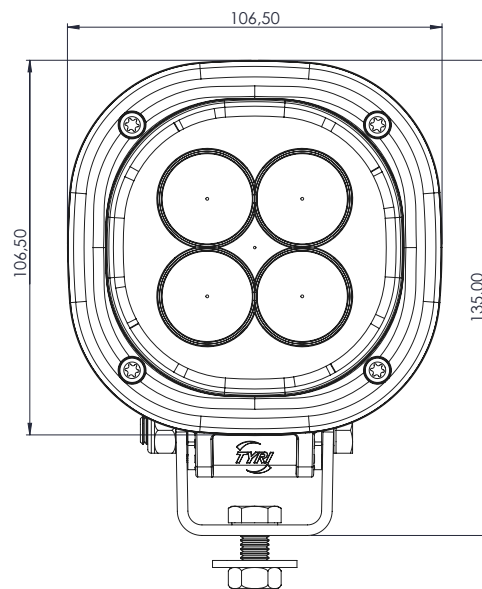
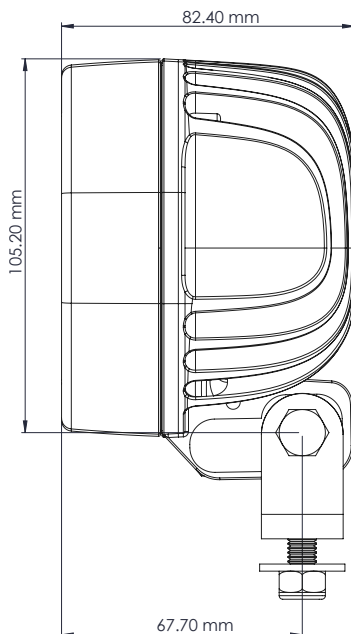
EN55025 / CISPR 25 Class 4
ISO 11452-2 / ISO 11452-4
ISO 16750-2 / ISO 10605
ISO 7637-2



UL Rated Optional

Consult www.tyrilights.com for additional lens & mounting options

TYRI's testing standards can be found at: www.tyrilights.com





1010 REDBEAM

LIGHT INTENSITY		VOLTAGE		AMP DRAW		POWER	DOMINANT WAVELENGTH TYPICAL	EMC
Candela	Machine	Operating Range	12 V	24 V	Watts	nm	EN55025 / CISPR25	
10,000 cd	12-48 V	9-60 V	1.2 A	0.6 A	15 W	630	4	