



1010

The 1010 is highly adaptable and provides a professional lighting solution to enhance work environments and task performance. Available in 2500 to 4000 effective lumen options and tested to achieve the highest ratings. Vibration dampers are standard and an advantage when ground conditions cause increased vibration and shock.

SUGGESTED APPLICATIONS

The 1010 is highly adaptable and can be used across numerous applications worldwide, including:



TECHNICAL DATA

- Housing Material:** Cast Aluminium
- Mounting Options:** Hanging, Standing
- Lens Material:** Grilamid / Glass
- Temperature range:** -40 to +85 °C
- Connector:** Deutsch (DT04-2P) built in
- Weight:** 1.15 kg / 2.54 lbs
- Light Patterns:** Symmetric, Narrow Symmetric, Wide Symmetric, Asymmetric, Wide Asymmetric

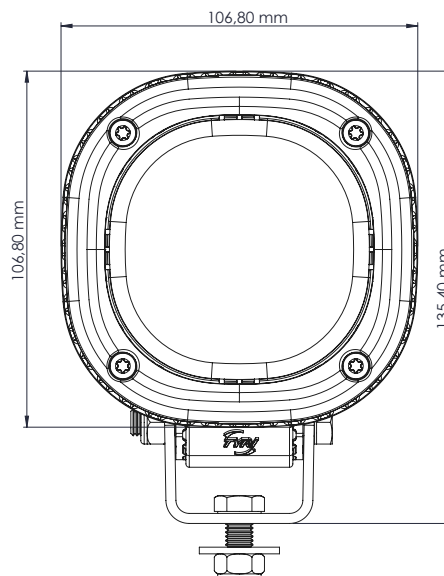
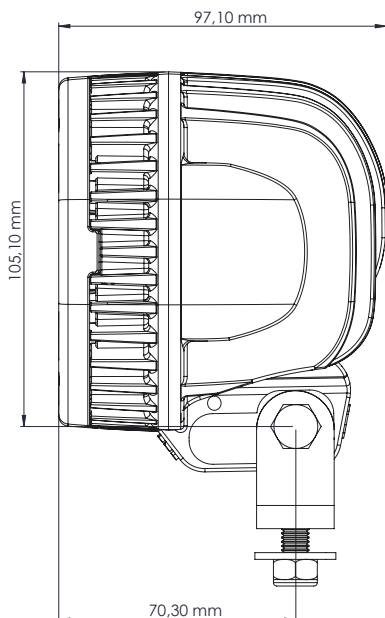
- Dampened
- Overheating Protection
- Over-voltage Protection
- Polarity Protection
- High CRI 95 Optional

TEST STANDARDS

- Salt Spray ASTM B117 500 h
- Vibration 5-2000 Hz 3 Axis, 10 Grms
- Shock Tested 50 G 11 ms
- IP69K
- EN55025 / CISPR 25 Class 5, ISO 11452-2 / ISO 11452-4, ISO 16750-2 / ISO 10605, ISO 7637-2

Consult www.tyrilights.com for additional lens & mounting options

TYRI's testing standards can be found at: www.tyrilights.com

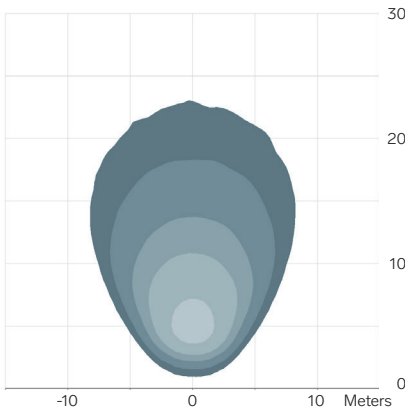


LIGHT OUTPUT	VOLTAGE		AMP DRAW		POWER	COLOUR TEMPERATURE	EMC	ECE
	Effective Lumen	Machine	Operating Range	12 V				
2000 lm	12-48 V	9-60 V	3.2 A	1.6 A	38 W	4200	5	
2300 lm	12-48 V	9-60 V	3.2 A	1.6 A	38 W	5000	5	
2500 lm	12 V	9-16 V	1.9 A		23 W	5700	5	R10
2500 lm	24 V	18-32 V		1.1 A	26 W	5700	5	R10
2800 lm	12-48 V	9-60 V	3.2 A	1.6 A	38 W	5700	5	R10
3200 lm ⁽¹⁾	12-48 V	9-60 V	3.0 A	1.5 A	36 W	5000	5	
3200 lm ⁽¹⁾	12-48 V	9-60 V	3.0 A	1.5 A	36 W	5700	5	
3200 lm	12 V	9-16 V	3.3 A		40 W	5700	5	R10
3200 lm	24 V	18-32 V		1.7 A	40 W	5700	5	R10
4000 lm	12 V	9-16 V	3.7 A		50 W	5700	5	R10
4000 lm	24 V	18-32 V		2.1 A	50 W	5700	5	R10
4000 lm	12-48 V	9-60 V	3.8 A	1.9 A	45 W	5000	5	
4000 lm	12-48 V	9-60 V	3.8 A	1.9 A	45 W	5700	5	

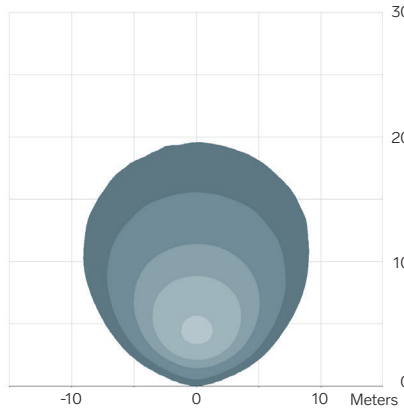
⁽¹⁾ Product may not be available in all territories. Please check with your local TYRI office.

TYPICAL LIGHT PATTERNS

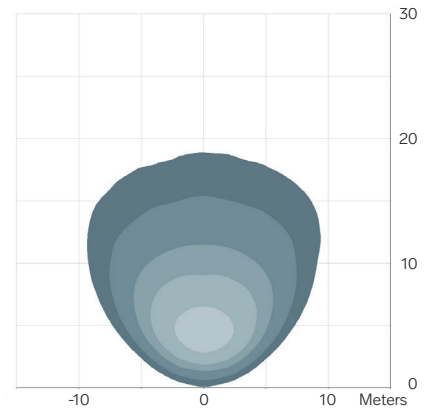
Example for 1010 / 2500 effective lumen | For further light patterns visit www.tyrilights.com



1010 / 2500 lm
 Medium 31 - 45°
 3.0 m / -15°
 Symmetric



1010 / 2500 lm
 Wide 45°+
 3.0 m / -15°
 Symmetric



1010 / 2500 lm
 Wide 45°+
 3.0 m / -15°
 Asymmetric

