



1010 IR

The 1010 IR utilises infrared to provide a powerful and reliable solution. This light should be used alongside night vision cameras or IR detectors. The 1010 IR emitters enhance night vision capabilities and are configured for 850 nm. This IR work light is built to TYRI high standards and has undergone testing for IP69K, vibration, salt spray and EMC.



SUGGESTED APPLICATIONS

The 1010 IR is highly adaptable and can be used across numerous applications worldwide, including:



MILITARY

TECHNICAL DATA

- Housing Material:** Cast Aluminium
- Mounting Options:** Hanging, Standing
- Lens Material:** Polycarbonate
- Temperature range:** -40 to +85 °C
- Connector:** Deutsch (DT04-2P) built in
- Weight:** 1.15 kg / 2.54 lbs
- Light Patterns:** Wide Symmetric, Asymmetric, Spot

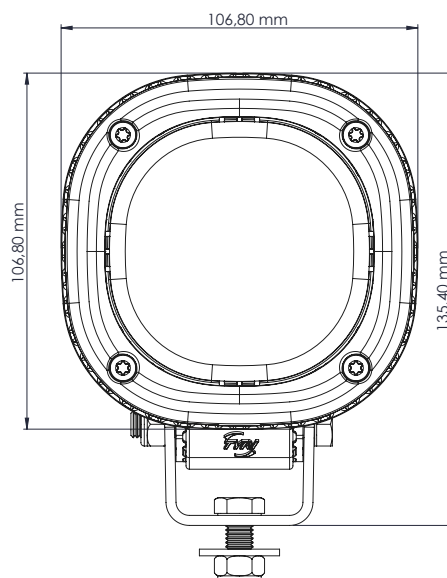
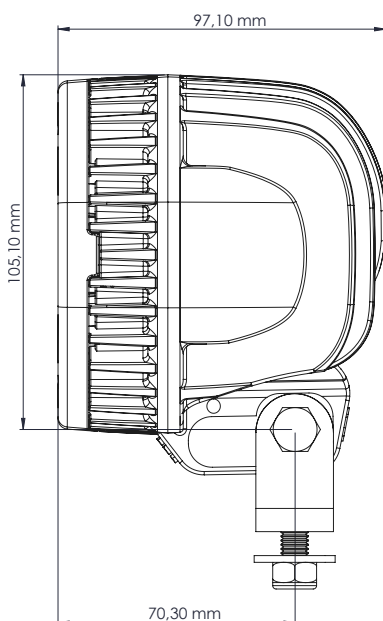
- Dampened
- Overheating Protection
- Over-voltage Protection
- Polarity Protection

TEST STANDARDS

- Salt Spray ASTM B117 500 h
- Vibration 5-2000 Hz 3 Axis, 10 Grms
- Shock Tested 50 G 11 ms
- IP69K
- EN55025 / CISPR 25 Class 3, ISO 11452-2 / ISO 11452-4, ISO 16750-2 / ISO 10605, ISO 7637-2

Consult www.tyrilights.com for additional lens & mounting options

TYRI's testing standards can be found at: www.tyrilights.com



Voltage:	
Machine	12-48 V
Operating Range	9-60 V
Amp Draw	
12V	1.2 A
24V	0.6 A
Power	14 W
Dominant Wavelength Typical	850 nm

Product may not be available in all territories. Please check with your local TYRI office.