



# 1010 HIGHBEAM

The 1010 HighBeam has been developed for On Road and Off Road Vehicles where a perfect illumination at distance is required. As well as offering a high beam lens, this work light is ECE R112 & R10 approved, has undergone the industry's highest vibration testing and is EMC class tested to avoid radio interference.

## SUGGESTED APPLICATIONS

The 1010 HighBeam is highly adaptable and can be used across numerous applications worldwide, including:



ATV



ON-ROAD



OFF-ROAD

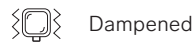


POLICE



## TECHNICAL DATA

- Housing Material:** Cast Aluminium
- Mounting Options:** Hanging, Standing
- Lens Material:** Polycarbonate, Glass Coating
- Temperature range:** -40 to +85 °C
- Connector:** Deutsch (DT04-2P) built in
- Weight:** 900 g / 1.99 lbs
- Light Patterns:** Spot
- Reference Mark:** 10



Dampened



Overheating Protection



Over-voltage Protection



Polarity Protection

## TEST STANDARDS



Salt Spray ASTM B117 500 h



Vibration 5-2000 Hz 3 Axis, 10 Grms



Shock Tested 50 G 11 ms



IP69K



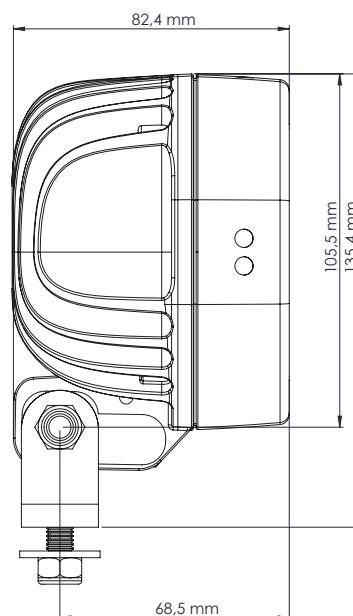
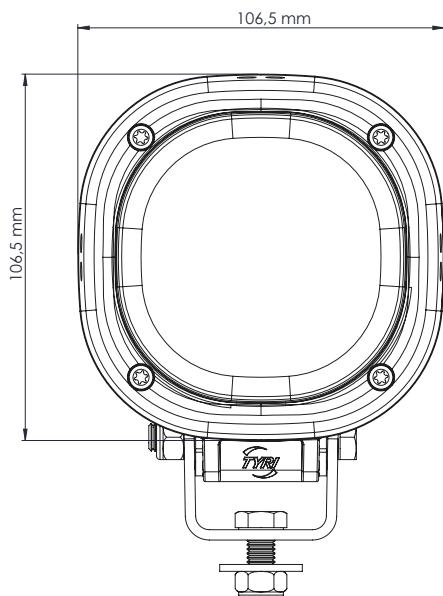
EN55025 / CISPR 25 Class 5  
ISO 11452-2 / ISO 11452-4  
ISO 16750-2 / ISO 10605  
ISO 7637-2



ECE R112 / R10

Consult [www.tyrilights.com](http://www.tyrilights.com) for additional lens & mounting options

TYRI's testing standards can be found at: [www.tyrilights.com](http://www.tyrilights.com)



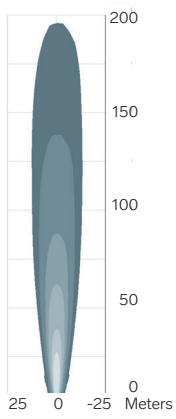


# 1010 HIGHBEAM

LIGHT OUTPUT		VOLTAGE		AMP DRAW	POWER	COLOUR TEMPERATURE	EMC	ECE
Effective Lumen	Machine	Operating Range	12V	Watts	K	EN55025 / CISPR25	ECE Rating	
2100 lm	12 V	9-16 V	1.9 A	28 W	5700	5	R112 / R10	

## TYPICAL LIGHT PATTERNS

Example for 1010 HighBeam | For further light patterns visit [www.tyrilights.com](http://www.tyrilights.com)



### 1010 HighBeam

Spot  
1.0 m / 0°  
Symmetric

