



# 1010 BLUEBIRD

1010 BlueBird with blue LED light helps to retain tranquility in poultry facilities even in the presence of workers and machines. Designed with a targeted asymmetric lens, the 1010 BlueBird minimises the spread of light to reduce glare and irritation to the eye.



Note: the lens of the BlueBird is clear, the blue light is emitted from LEDs

## SUGGESTED APPLICATIONS

The 1010 BlueBird is mainly used in poultry applications. However, it can be used across numerous other applications worldwide.



AGRICULTURE

## TECHNICAL DATA

- Housing Material:** Cast Aluminium
- Mounting Options:** Hanging  
Standing
- Lens Material:** Polycarbonate
- Temperature range:** -40 to +75 °C
- Connector:** Deutsch (DT04-2P) built in
- Weight:** 920 g
- Light Patterns:** Asymmetric

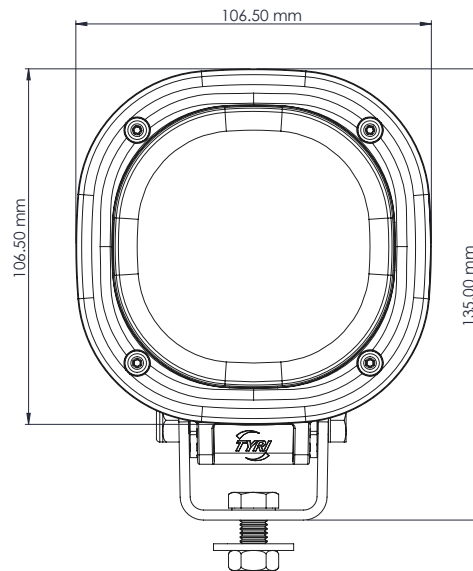
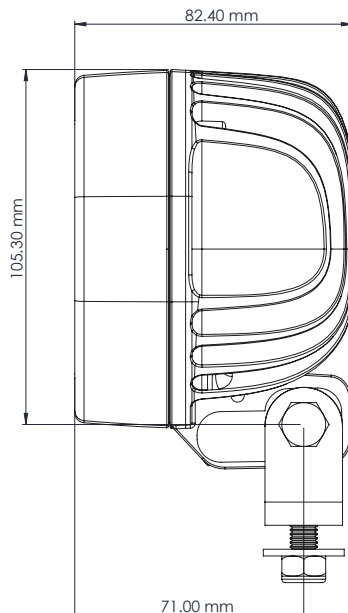
- Dampened
- Overheating Protection
- Over-voltage Protection
- Polarity Protection

## TEST STANDARDS

- Salt Spray ASTM B117 500 h
- Vibration 5-2000 Hz 3 Axis, 10 Grms
- Shock Tested 50 G 11 ms
- IP69K
- EN55025 / CISPR 25 Class 4  
ISO 11452-2 / ISO 11452-4  
ISO 16750-2 / ISO 10605  
ISO 7637-2
- UL Rated Optional

Consult [www.tyrilights.com](http://www.tyrilights.com) for additional lens & mounting options

TYRI's testing standards can be found at: [www.tyrilights.com](http://www.tyrilights.com)





# 1010 BLUEBIRD

LIGHT INTENSITY	VOLTAGE		AMP DRAW		POWER	DOMINANT WAVELENGTH TYPICAL	EMC
	Machine	Operating Range	12 V	24 V			
Candela	Machine	Operating Range	12 V	24 V	Watts	nm	EN55025 / CISPR25
600 cd	12-48 V	9-60 V	1.2 A	0.6 A	15 W	475 nm	4

**IEC/SS-EN 62471 | RISK GROUP 2**

**CAUTION:** Possibly hazardous optical radiation emitted from this product.  
Do not stare at operating lamp. May be harmful to the eye.

It is important to remember, LED work lights are no more hazardous than other lighting technologies with the same correlated colour temperature (CCT).

TYRI complies with the IEC/SS-EN 62471 standard with the addition of the warning label on the product.