



1010 AC

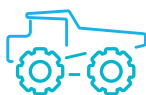
The 1010 AC works at a voltage of 100 V – 277 V. This work light is an ideal match for mining, aggregate stations, conveyors and stationary lighting applications.

SUGGESTED APPLICATIONS

The 1010 AC is highly adaptable and can be used across numerous applications worldwide, including:



CONSTRUCTION



MINING



TECHNICAL DATA

Housing Material: Cast Aluminium

Mounting Options: Hanging
Standing


Lens Material: Grilamid / Glass

Temperature range: -40 to +50 °C

Connector: Flying Leads

Weight: 1.4 kg / 3.1 lbs

Light Patterns: Symmetric
Asymmetric
High
Spot

 Dampened

 Overheating Protection

 Over-voltage Protection

 Polarity Protection


TEST STANDARDS

 Salt Spray ASTM B117 500 h

 Vibration 5-2000 Hz 3 Axis, 10 Grms

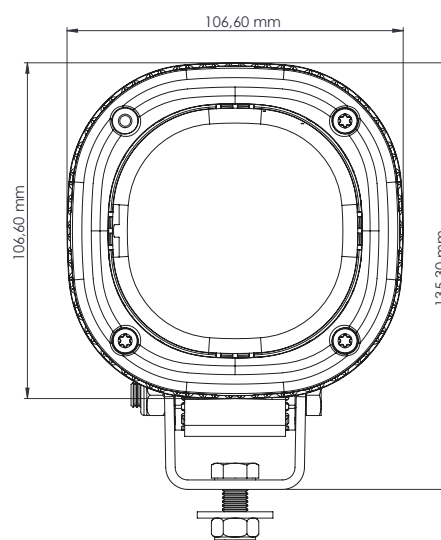
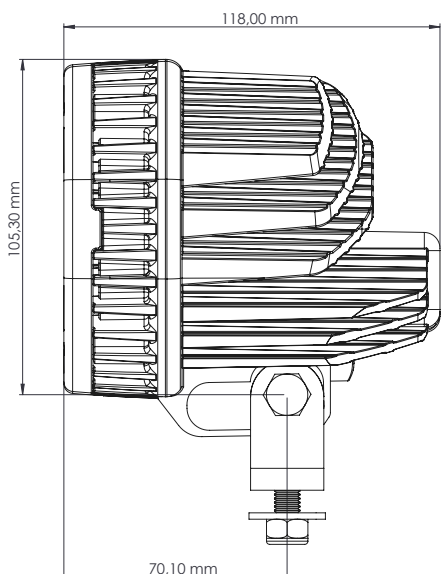
 Shock Tested 50 G 11 ms

 IP69K

 EMC AC/DC Converter:
EN55015 Class B
FCC 47CFR part 15 Class B
Susceptibility:
EN61000-4-2,-3,-4,-6 & -11
ANSI c62.41-1991 Category A1, 2.5kV
Ringwave

Consult www.tyrilights.com for additional lens & mounting options

TYRI's testing standards can be found at: www.tyrilights.com





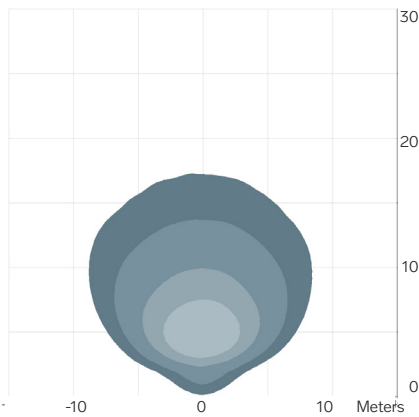
1010 AC

LIGHT OUTPUT	VOLTAGE	AMP DRAW		POWER	COLOUR TEMPERATURE
Effective Lumen	Operating Range	120 V / 60 Hz	240 V / 60 Hz	Watts	K
2200 lm	100-277 VAC Nominal / 47-63 Hz	0.33 A	0.17 A	40 W	5100
3200 lm	100-277 VAC Nominal / 47-63 Hz	0.33 A	0.17 A	40 W	5700

Product may not be available in all territories. Please check with your local TYRI office.

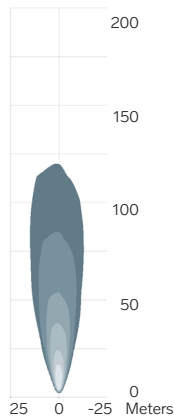
TYPICAL LIGHT PATTERNS

Example for 1010 AC / 2200 effective lumen | For further light patterns visit www.tyrilights.com



1010 AC / 2200 lm

Wide 45°+
3.0 m / -15°
Symmetric



1010 AC / 2200 lm

Spot
1.0 m / 0°
Symmetric

