



# 0909 COMPACT+

The 0909 Compact+ is a product family consisting of LED work lights and LED BluePoint and RedPoint warning lights. The 0909 Compact+ has a curved lens which makes it easier for snow to glide off. Used on machines with confined spaces, but also on forklift trucks.

## SUGGESTED APPLICATIONS

The 0909 Compact+ range is highly adaptable and can be used across numerous applications worldwide, including:



MATERIAL HANDLING



AGRICULTURE



## TECHNICAL DATA

- Housing Material:** Cast Aluminium
- Mounting Options:** Hanging  
Standing
- Lens Material:** Polycarbonate
- Temperature range:** -40 to +85 °C
- Connector:** Deutsch (DT04-2P) built in
- Weight:** 220 g / 0.49 lb
- Light Patterns:** Symmetric  
Asymmetric  
Narrow Symmetric



Overheating Protection



Over-voltage Protection



Polarity Protection

## TEST STANDARDS



Salt Spray ASTM B117



Vibration 5-2000 Hz 3 Axis, 10 Grms



Shock Tested 50 G 11 ms



IP69K



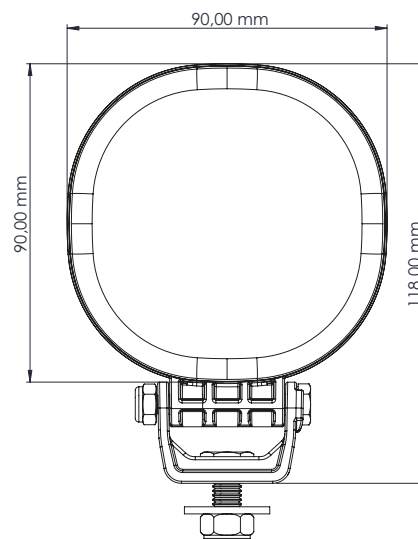
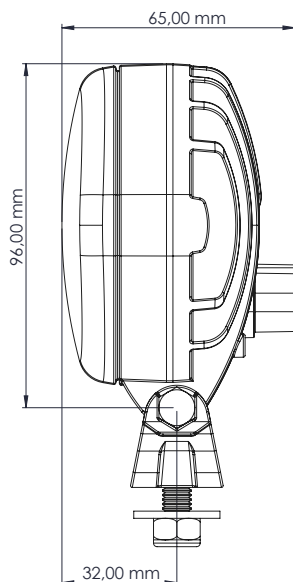
EN55025 / CISPR 25 (see page 2)  
ISO 11452-2 / ISO 11452-4  
ISO 16750-2 / ISO 10605  
ISO 7637-2



UL Rated Optional


Consult [www.tyrilights.com](http://www.tyrilights.com) for additional lens & mounting options

TYRI's testing standards can be found at: [www.tyrilights.com](http://www.tyrilights.com)





# 0909 COMPACT<sup>+</sup>

LIGHT OUTPUT		VOLTAGE		AMP DRAW		POWER	COLOUR TEMPERATURE		EMC
Effective Lumen	Machine	Operating Range	12V	24V	Watts	K	EN55025 / CISPR25		
750 lm	12-48 V	9-60 V	0.9 A	0.5 A	14 W	5000	3 (metal bracket) / 5 (PA6 Bracket) 		
1400 lm	12-48 V	9-60 V	1.7 A	0.9 A	21 W	5000	3 (metal bracket) / 5 (PA6 Bracket) 