

0606

The 0606 LED work light packs plenty of power despite its small size. It is suitable for confined spaces and used on forklift trucks, floor scrubbers, sweepers and other small machinery. The 0606 can also be mounted on truck mirrors due to its small stature. Subjected to rigorous vibration testing and EMC class 4 according to EN55025 / CISPR25.



SUGGESTED APPLICATIONS

The 0606 range is highly adaptable and can be used across numerous applications worldwide, including:



ATV

MATERIAL HANDLING

SWEEPERS

SMALL MACHINERY

TECHNICAL DATA

- Housing Material:** Cast Aluminium
- Mounting Options:** Hanging
Standing
- Lens Material:** Polycarbonate
- Temperature range:** -40 to +75 °C
- Connector:** Deutsch (DT04-2P) built in
- Weight:** 280 g / 0.62 lb
- Light Patterns:** Wide Symmetric
Narrow Symmetric (spot)



Overheating Protection



Over-voltage Protection



Polarity Protection

TEST STANDARDS



Salt Spray ASTM B117 500 h



Vibration 5-2000 Hz 3 Axis, 8 Grms



Shock Tested 50 G 11 ms



IP69K



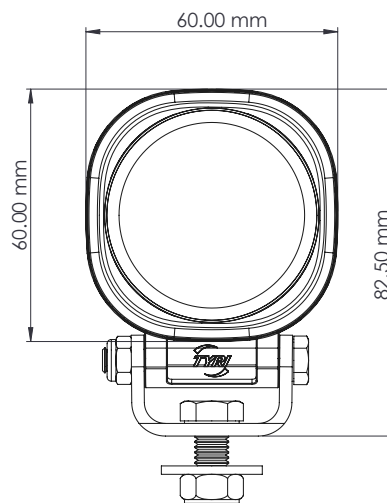
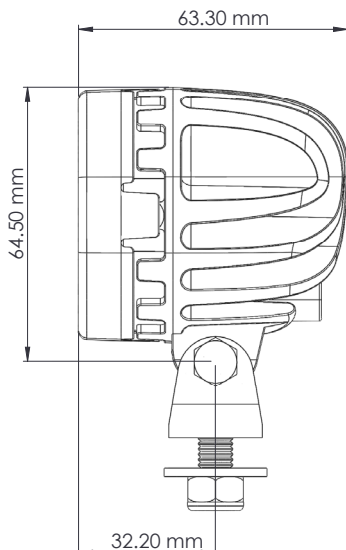
EN55025 / CISPR 25 Class 4 & 5
ISO 11452-2 / ISO 11452-4
ISO 16750-2 / ISO 10605
ISO 7637-2



UL Rated Optional

Consult www.tyrilights.com for additional lens & mounting options

TYRI's testing standards can be found at: www.tyrilights.com



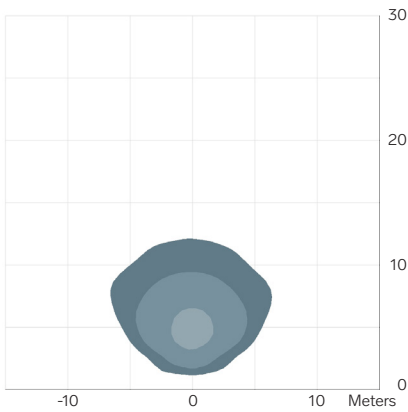


0606

LIGHT OUTPUT	VOLTAGE		AMP DRAW		POWER	COLOUR TEMPERATURE	EMC	ECE
	Effective Lumen	Machine	Operating Range	12 V			24 V	Watts
720 lm	12-48 V	9-60 V	1.2 A	0.6 A	13 W	5700	4	R10
1000 lm	12 V	9-16 V	1.1 A		13 W	5700	5	
1000 lm	24 V	18-32 V		0.6 A	13 W	5700	5	

TYPICAL LIGHT PATTERNS

Examples for 0606 | For further light patterns visit www.tyrilights.com



0606 / 720 lm

Wide 45°+
3.0 m / -15°
Symmetric

