



1010 XP-9

The popular 1010 has had a sleek new update with the 1010 XP-9. This popular product is still as adaptable as the original, but now has an improved design which eliminates stray light providing even more effective light in front where you need it. Available in 2000 to 4000 effective lumen options and tested to achieve the highest ratings. Vibration dampers are standard and an advantage when ground conditions cause increased vibration and shock.



SUGGESTED APPLICATIONS

The 1010 XP-9 is highly adaptable and can be used across numerous applications worldwide, including:



TECHNICAL DATA

- Housing Material:** Cast Aluminium
- Mounting Options:** Hanging, Standing
- Lens Material:** Grilamid / Glass
- Temperature range:** -40 to +85 °C
- Connector:** Deutsch (DT04-2P) built in
- Weight:** 1.15 kg / 2.54 lbs
- Light Patterns:** Symmetric, Narrow Symmetric, Wide Symmetric, Asymmetric, Wide Asymmetric

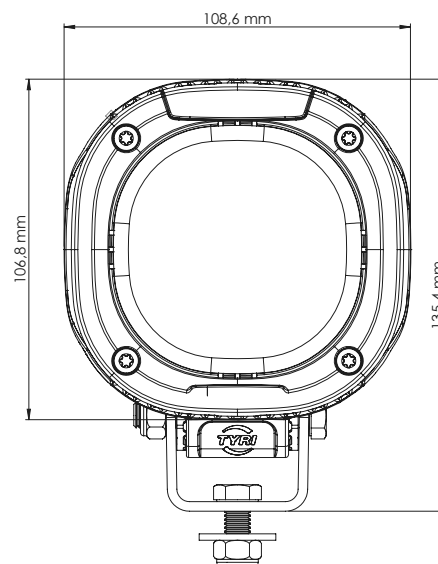
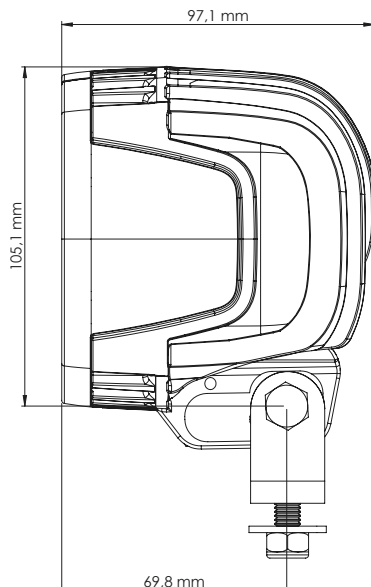
- Dampened
- Overheating Protection
- Over-voltage Protection
- Polarity Protection
- High CRI 95 Optional

TEST STANDARDS

- Salt Spray ASTM B117 500 h
- Vibration 5-2000 Hz 3 Axis, 10 Grms
- Shock Tested 50 G 11 ms
- IP69K
- EN55025 / CISPR 25 Class 5, ISO 11452-2 / ISO 11452-4, ISO 16750-2 / ISO 10605, ISO 7637-2

Consult www.tyrilights.com for additional lens & mounting options

TYRI's testing standards can be found at: www.tyrilights.com





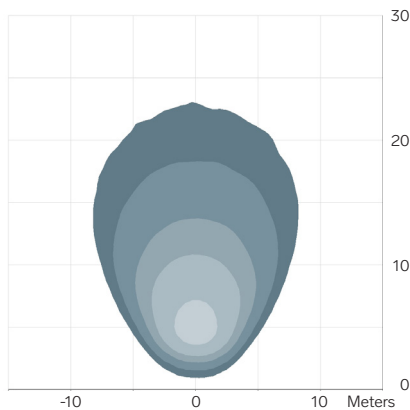
1010 XP-9

LIGHT OUTPUT	VOLTAGE		AMP DRAW		POWER	COLOUR TEMPERATURE	EMC	ECE
	Machine	Operating Range	12 V	24 V				
Effective Lumen								
2000 lm	12-48 V	9-60 V	3.2 A	1.6 A	38 W	4200	5	
2300 lm	12-48 V	9-60 V	3.2 A	1.6 A	38 W	5000	5	
2500 lm	12 V	9-16 V	1.9 A		23 W	5700	5	R10
2500 lm	24 V	18-32 V		1.1 A	26 W	5700	5	R10
2800 lm	12-48 V	9-60 V	3.2 A	1.6 A	38 W	5700	5	R10
3200 lm ⁽¹⁾	12-48 V	9-60 V	3.0 A	1.5 A	36 W	5000	5	
3200 lm ⁽¹⁾	12-48 V	9-60 V	3.0 A	1.5 A	36 W	5700	5	
3200 lm	12 V	9-16 V	3.3 A		40 W	5700	5	R10
3200 lm	24 V	18-32 V		1.7 A	40 W	5700	5	R10
4000 lm	12 V	9-16 V	3.7 A		50 W	5700	5	R10
4000 lm	24 V	18-32 V		2.1 A	50 W	5700	5	R10
4000 lm	12-48 V	9-60 V	3.8 A	1.9 A	45 W	5000	5	
4000 lm	12-48 V	9-60 V	3.8 A	1.9 A	45 W	5700	5	

⁽¹⁾ Product may not be available in all territories. Please check with your local TYRI office.

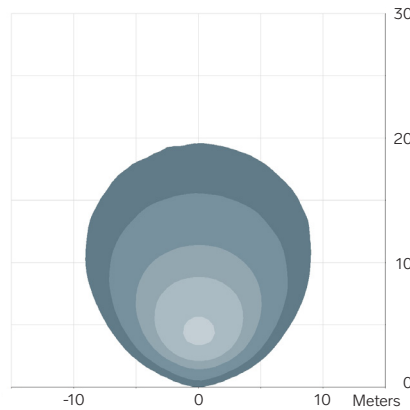
TYPICAL LIGHT PATTERNS

Example for 1010 XP-9 / 2500 effective lumen | For further light patterns visit www.tyriLights.com



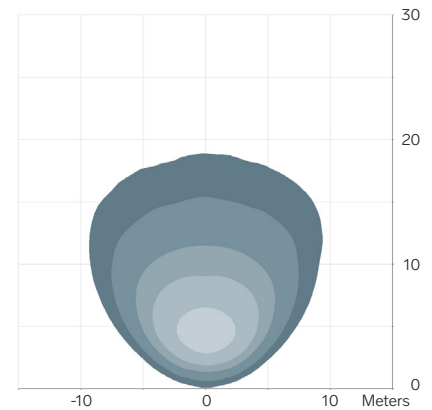
1010 XP-9 / 2500 lm

Medium 31 - 45°
3.0 m / -15°
Symmetric



1010 XP-9 / 2500 lm

Wide 45°+
3.0 m / -15°
Symmetric



1010 XP-9 / 2500 lm

Wide 45°+
3.0 m / -15°
Asymmetric

